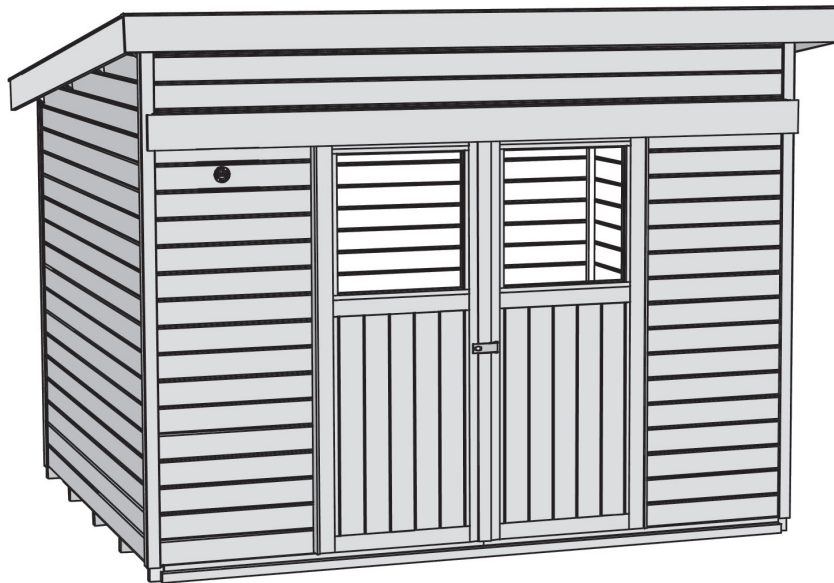




www.weka-holzbau.com

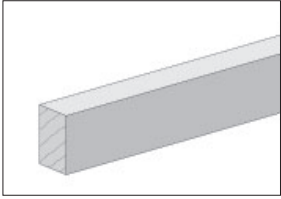
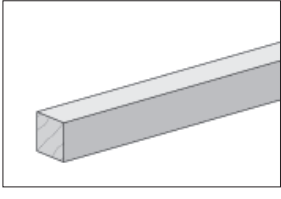
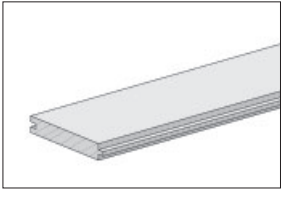
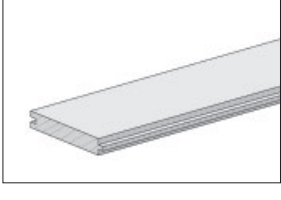
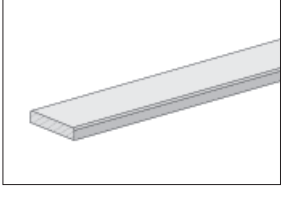
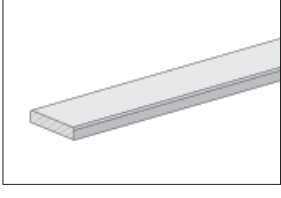
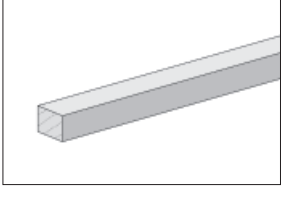


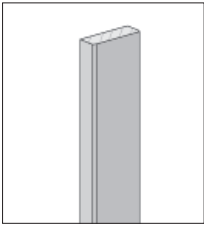
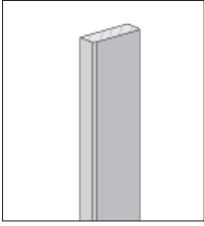
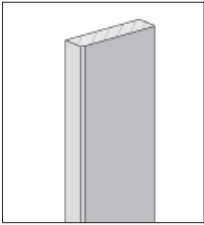
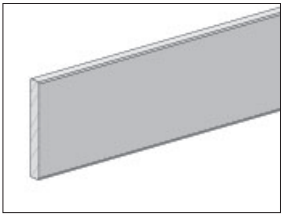
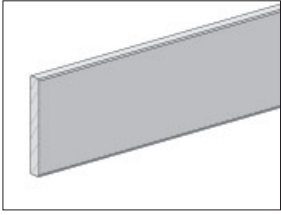
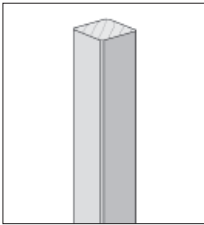
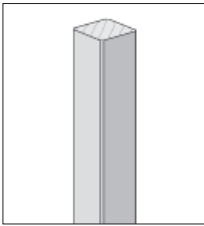
Serie: 225.3021
Serie: 225.3024
Serie: 225.3030

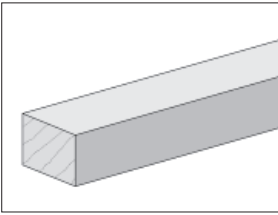
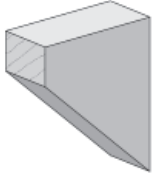
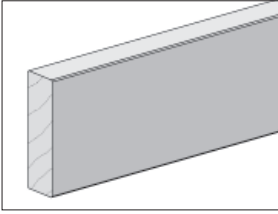

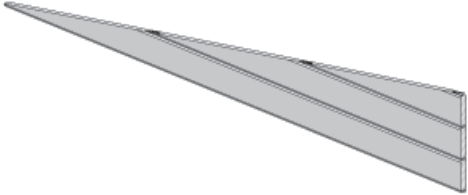
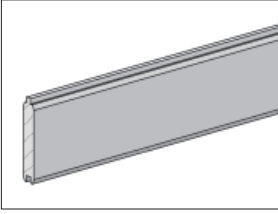
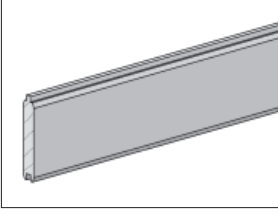
Montage-, Bedienungs- und Wartungsanleitung

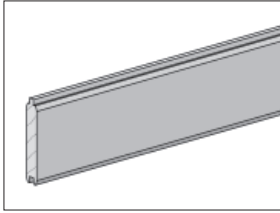
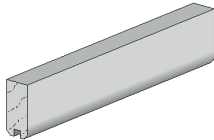
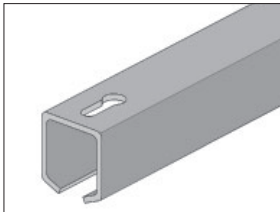
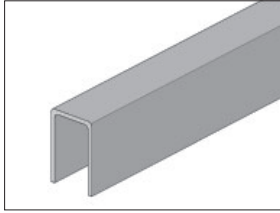
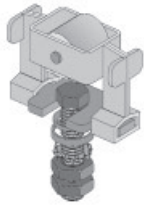
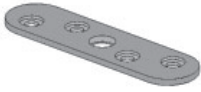



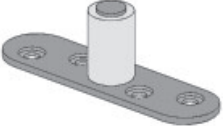
Stand: 2112


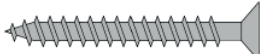





| Pos | Bild | Abmessung (mm) | Anzahl (Stück) | | |
|-----|-------------------------------------------------------------------------------------------------------------------------------------------|----------------------------------------------|-----------------|----------|----------|
| | | | 225.3021 | 225.3024 | 225.3030 |
| ① | R002.0650.2950  | 40/60/2950 | 5 | 6 | 7 |
| ② | R002.0660.2950  | 40/40/2950 | 1 | 1 | 1 |
| ③ | R002.0091.2050 R002.0091.2350 R002.0091.2950  | 15,5/96/2050 15,5/96/2350 15,5/96/2950 | 33 | 33 | 33 |
| ④ | R002.0091.2462 R002.0091.2770 R002.0091.3344  | 15,5/96/2462 15,5/96/2770 15,5/96/3344 | 35 | 35 | 35 |
| ⑤ | R002.0400.2040 R010.0400.2040  | 11/58/2040 | 5 | 5 | 5 |
| ⑥ | R002.0400.2300 R010.0400.2300  | 11/58/2300 | 8 | 8 | 8 |
| ⑦ | G122.01.0003  | 15/21/1805 | 1 | 1 | 1 |



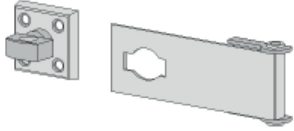

| Pos | Bild | Abmessung (mm) | Anzahl (Stück) | | |
|-----|-------------------------------------------------------------------------------------------------------------------------------------------------------------------------------------------------|-------------------------------------------------|-----------------|----------|----------|
| | | | 225.3021 | 225.3024 | 225.3030 |
| 8 | R002.0530.2300  | 15/45/2300 | 9 | 9 | 9 |
| 9 | R002.0530.1825 R010.0530.1825  | 15/45/1825 | 4 | 4 | 4 |
| 10 | R002.0425.1810  | 18,5/70/1810 | 3 | 3 | 3 |
| 11 | R002.0560.3230 R010.0560.3230  | 18,5/146/3230 | 2 | 2 | 2 |
| 12 | R002.0560.2750 R010.0560.2750 R002.0560.2840 R010.0560.2840 R002.0560.3400 R010.0560.3400  | 18,5/146/2750 18,5/146/2840 18,5/146/3400 | 2 | 2 | 2 |
| 13 | R002.0196.2000 R002.0196.2100  | 34/34/2000 34/34/2100 | 2 - | - 2 | - 2 |
| 14 | R002.0196.2462  | 34/34/2462 | 3 | 3 | 3 |

| Pos | Bild | Abmessung (mm) | Anzahl (Stück) | | |
|-----|-------------------------------------------------------------------------------------------------------------------------------------------|-------------------------------------------|-----------------|----------|----------|
| | | | 225.3021 | 225.3024 | 225.3030 |
| 15 | G651.01.0028  | 40/60/2860 | 1 | 1 | 1 |
| 16 | G330.06.0007  | 45/100/120 | 8 | 10 | 10 |
| 17 | R002.0350.2908  | 45/146/2908 | 2 | 3 | 3 |
| 18 |  | 750 x 1800 | 2 | 2 | 2 |
| 19 |  | 21/347/2050 21/347/2350 21/347/2950 | 2 | 2 | 2 |
| 20 | R002.0015.0720  | 21/121/720 | 32 | 32 | 32 |
| 21 | R002.0015.2050 R002.0015.2350 R002.0015.2950  | 21/121/2050 21/121/2350 21/121/2950 | 34 | 34 | 34 |

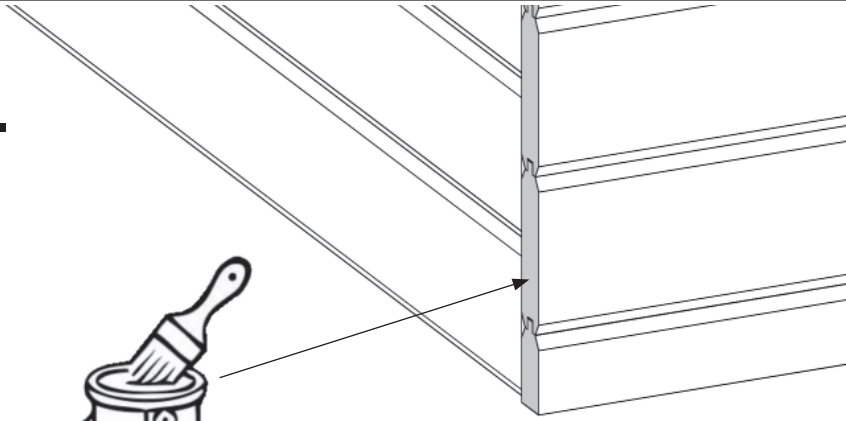
| Pos | Bild | Abmessung (mm) | Anzahl (Stück) | | |
|-----|-------------------------------------------------------------------------------------------------------|---------------------|-----------------|----------|----------|
| | | | 225.3021 | 225.3024 | 225.3030 |
| 22 | R002.0015.2950  | 21/121/2950 | 21 | 21 | 21 |
| 23 | - | - | - | - | - |
| 24 | G105.01.0006  | 28/60/300 | 4 | 4 | 4 |
| 25 | K135.1001.0001  | 1420 lang | 2 | 2 | 2 |
| 26 | K135.1001.0002  | 1420 lang | 2 | 2 | 2 |
| 27 | K135.1001.0003  | | 4 | 4 | 4 |
| 28 | K135.1001.0004  | | 4 | 4 | 4 |

| Pos | Bild | Abmessung (mm) | Anzahl (Stück) | | |
|-----|-----------------------------------------------------------------------------------------------------|---------------------|-----------------|----------|----------|
| | | | 225.3021 | 225.3024 | 225.3030 |
| 29 | K135.1001.0005  | | 4 | 4 | 4 |
| 30 | K135.1001.0006  | | 4 | 4 | 4 |
| 31 | - | - | - | - | - |

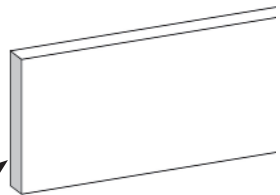
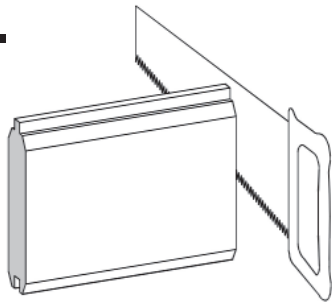
| Pos | Bild | Abmessung (mm) | Anzahl (Stück) | | |
|-----|-------------------------------------------------------------------------------------------------------|---------------------|-----------------|----------|----------|
| | | | 225.3021 | 225.3024 | 225.3030 |
| M1 | K001.8050.0004  | 5,0 x 80 | 10 | 10 | 10 |
| M2 | K001.6040.0004  | 4,0 x 60 | 55 | 55 | 55 |
| M3 | K001.4040.0004  | 4,0 x 40 | 560 | 560 | 560 |
| M4 | K001.3535.0004  | 3,5 x 35 | 150 | 150 | 150 |
| M5 | K001.3035.0004  | 3,5 x 30 | 100 | 100 | 100 |
| M6 | K001.2535.0001  | 3,5 x 25 | 55 | 55 | 55 |
| M7 | K002.1625.0001  | 2,5 x 16 | 2 | 2 | 2 |

| Pos | Bild | Abmessung (mm) | Anzahl (Stück) | | |
|-----|-------------------------------------------------------------------------------------------------------|---------------------|-----------------|----------|----------|
| | | | 225.3021 | 225.3024 | 225.3030 |
| M8 | K010.5022.0001  | 2,2 x 55 | 730 | 730 | 730 |
| M9 | K010.3016.0001  | 1,6 x 30 | 10 | 10 | 10 |
| M10 | - | - | - | - | - |
| M11 | K065.9000.0001  | 40 x 40 | 1 | 1 | 1 |
| M12 | K100.1010.0001  | ø65 | 1 | 1 | 1 |

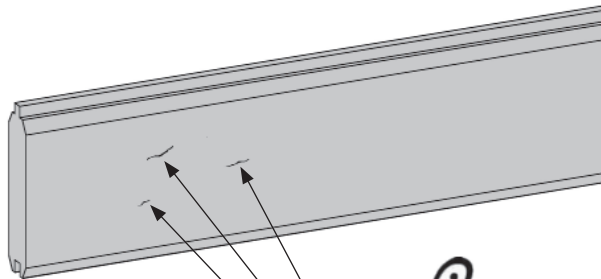
1.



2.

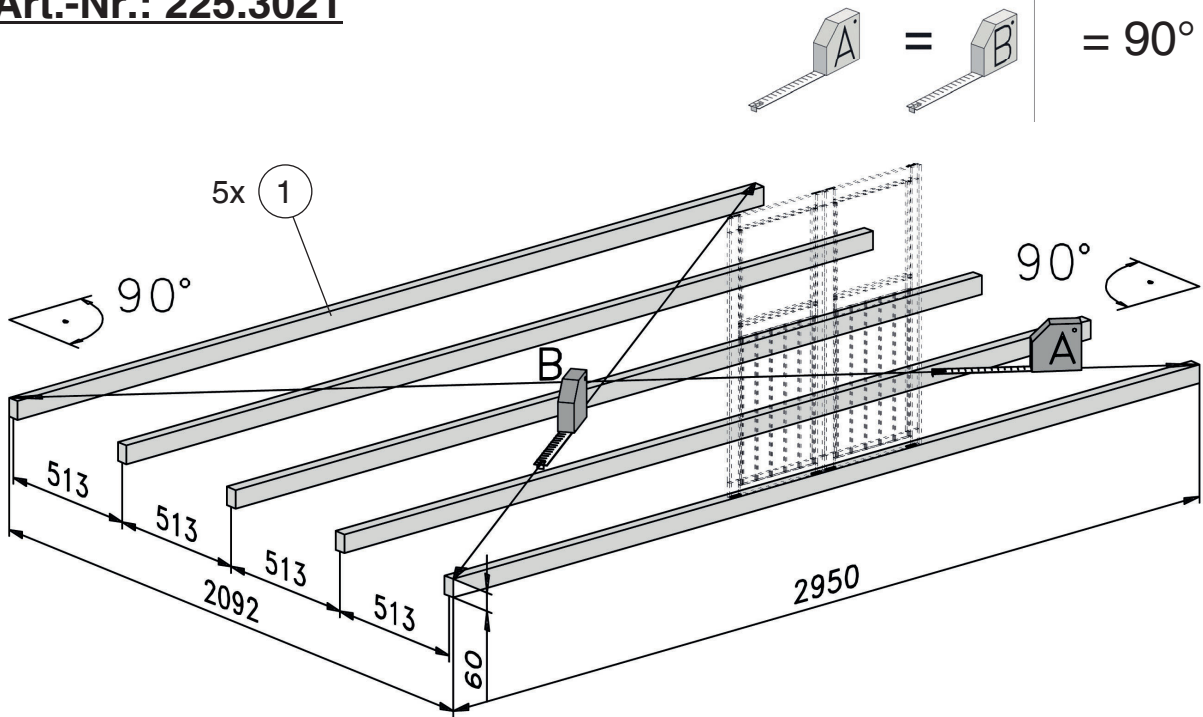


3.

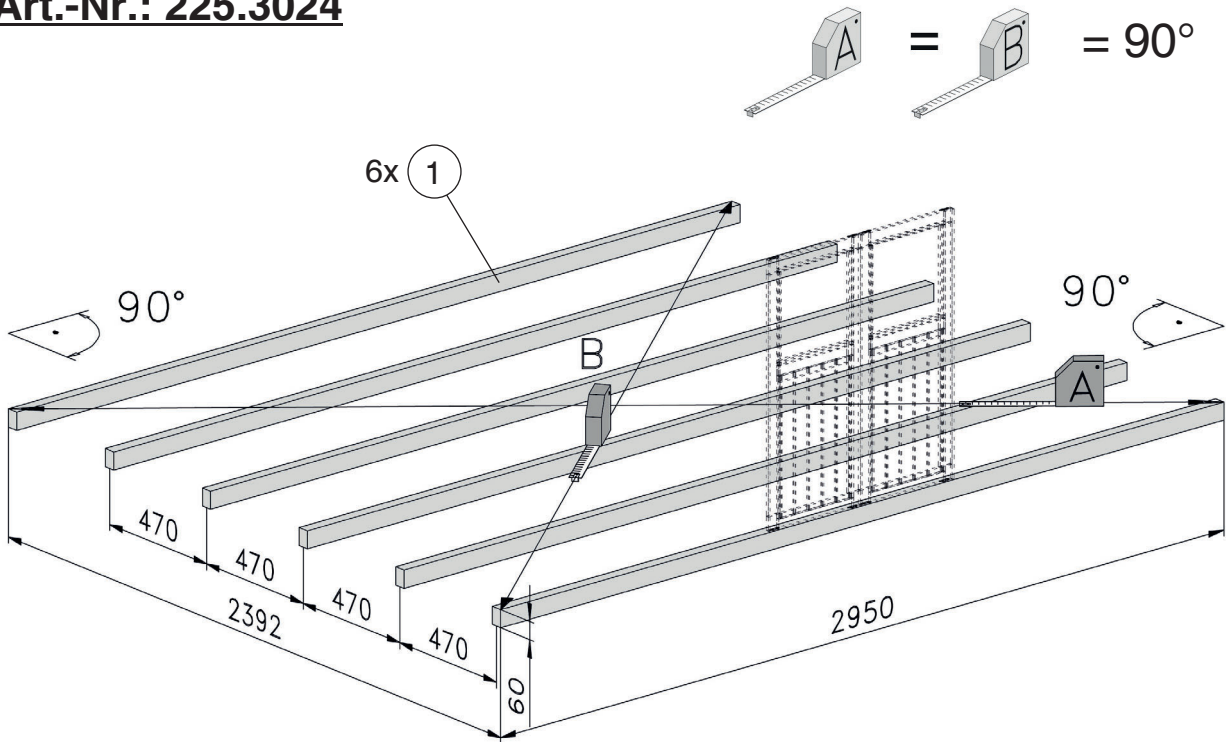


1

Art.-Nr.: 225.3021

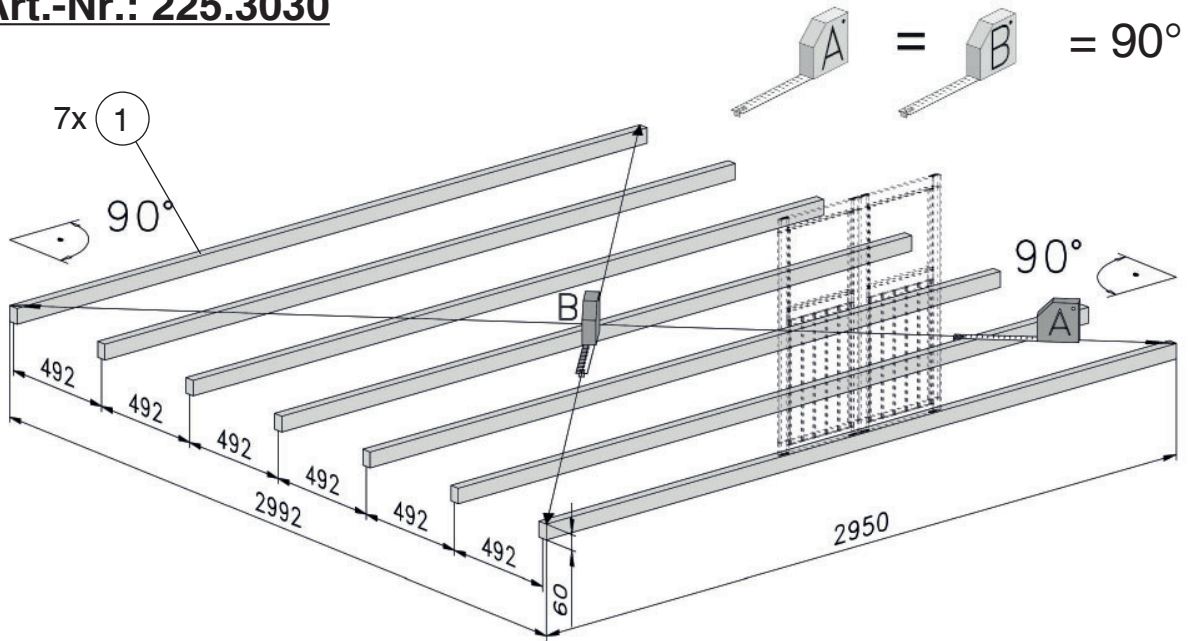


Art.-Nr.: 225.3024

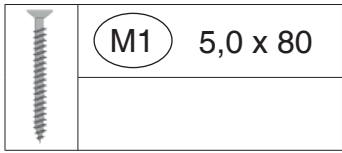
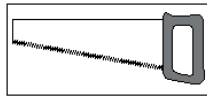


1

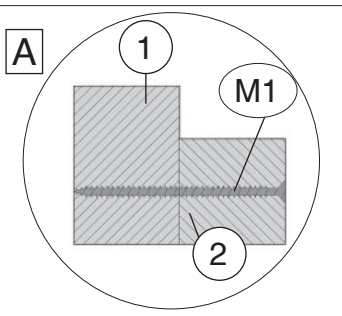
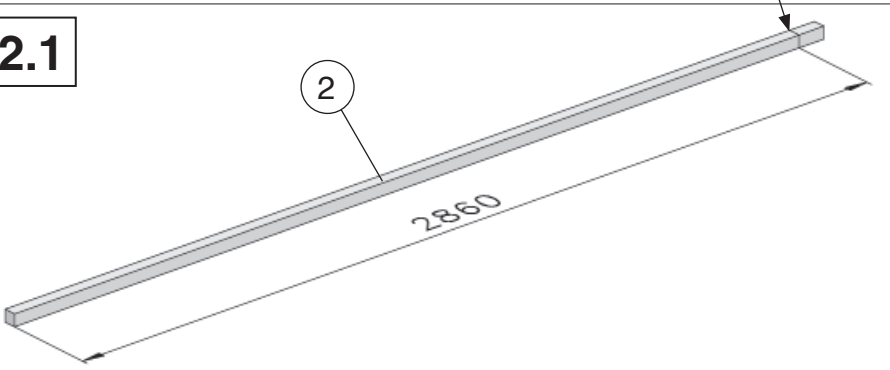
Art.-Nr.: 225.3030



2



2.1



2.2

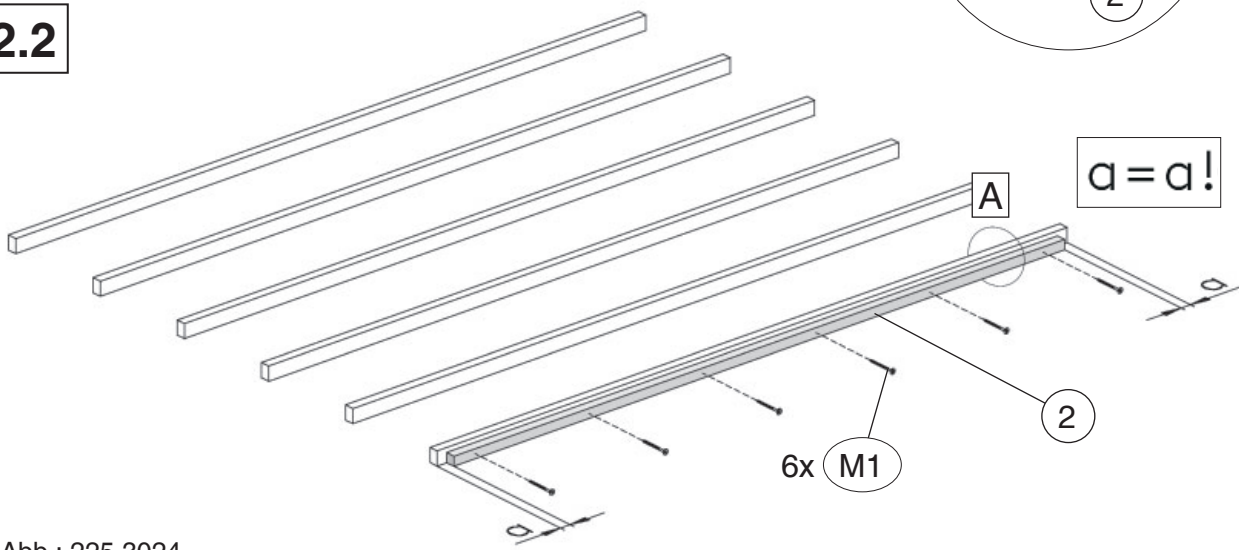


Abb.: 225.3024.

3

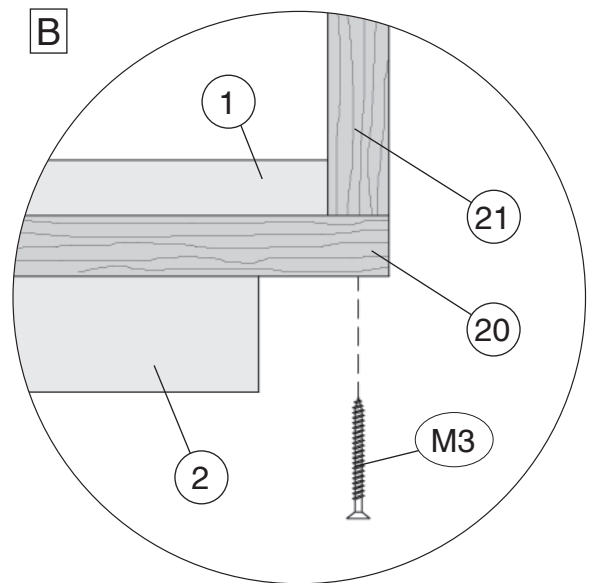
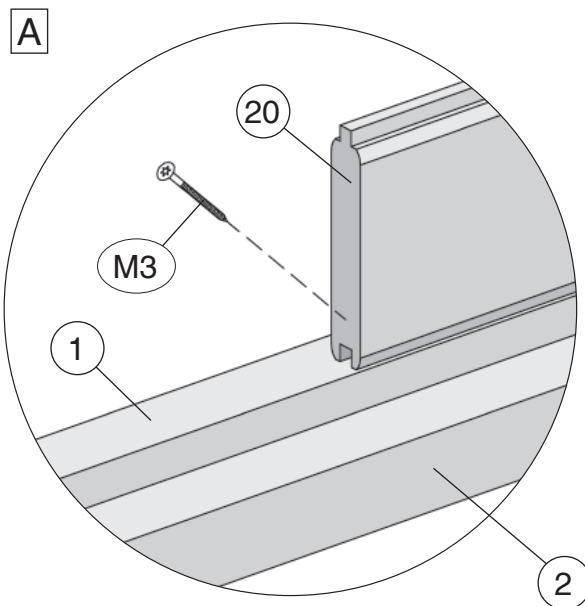
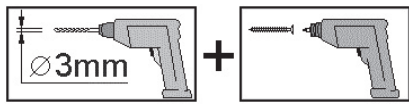
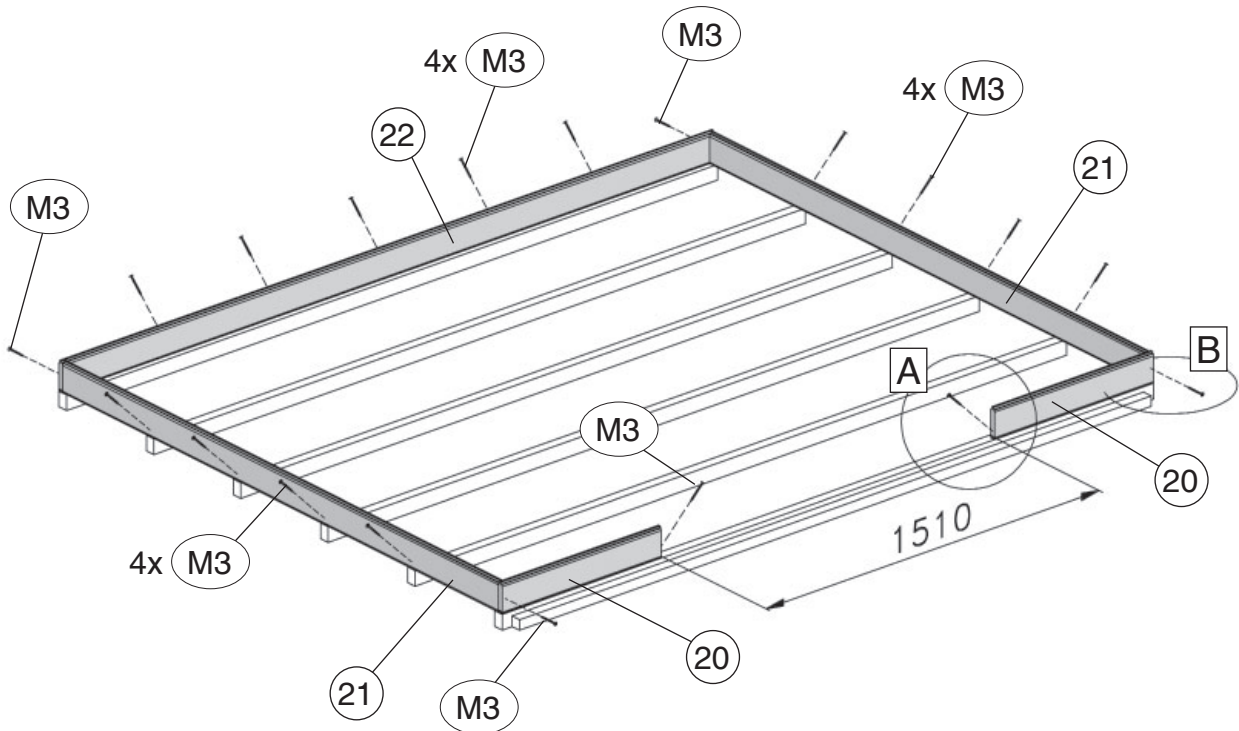
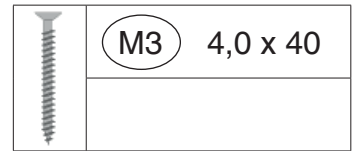


Abb.: 225.3024.

4

| | |
|-------------------------------------------------------------------------------------|-------------|
|  | M8 2,2 x 55 |
| | |

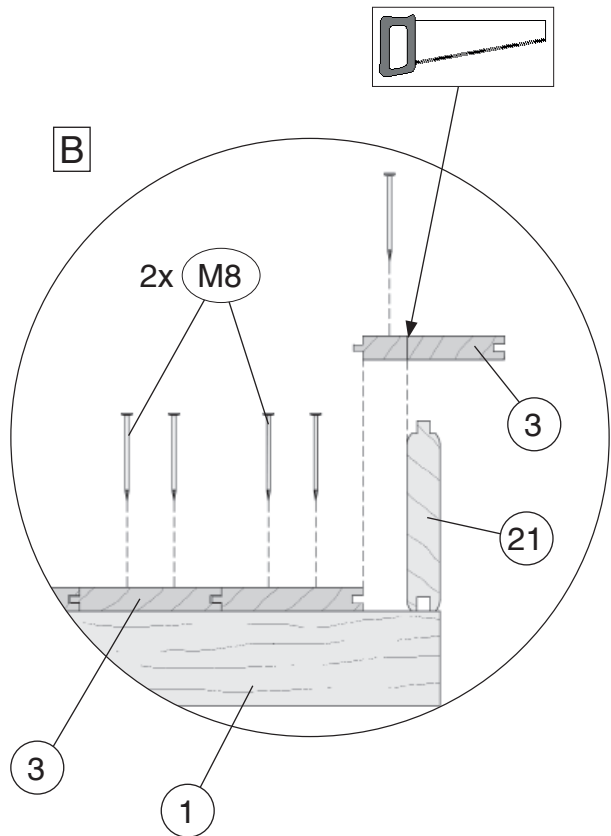
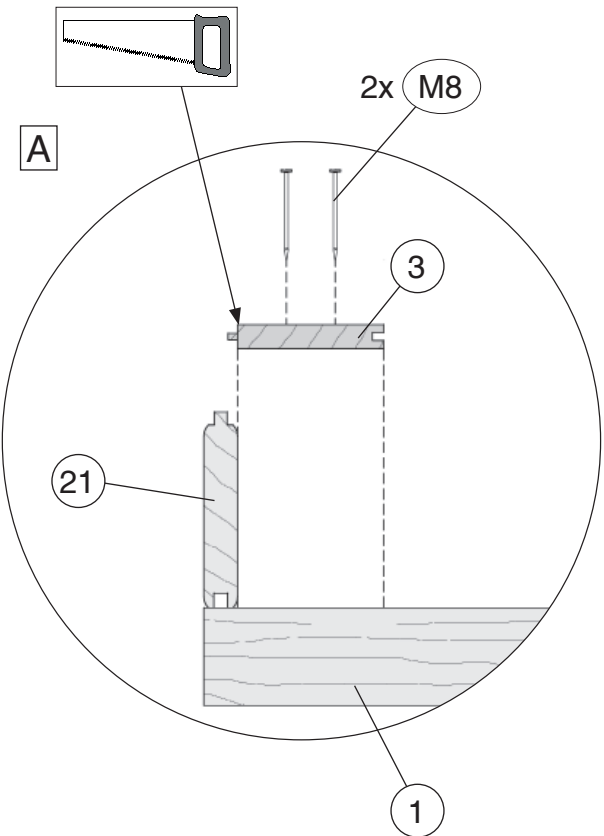
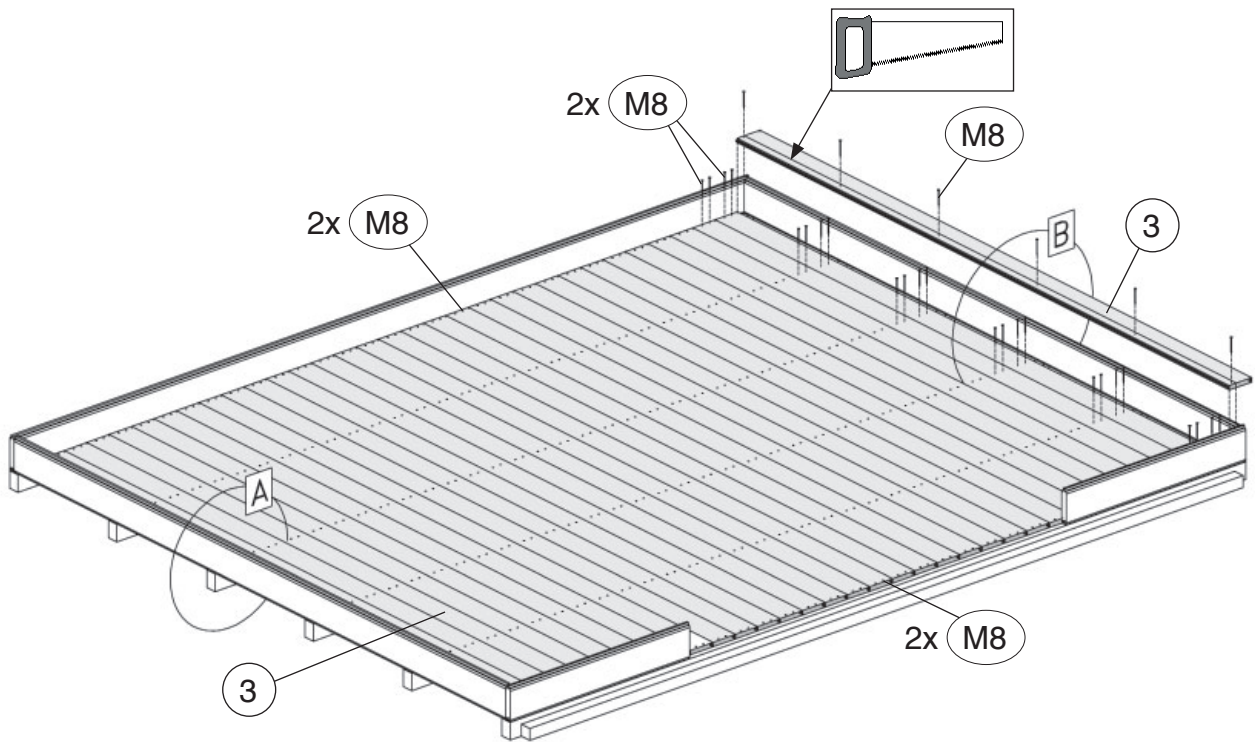

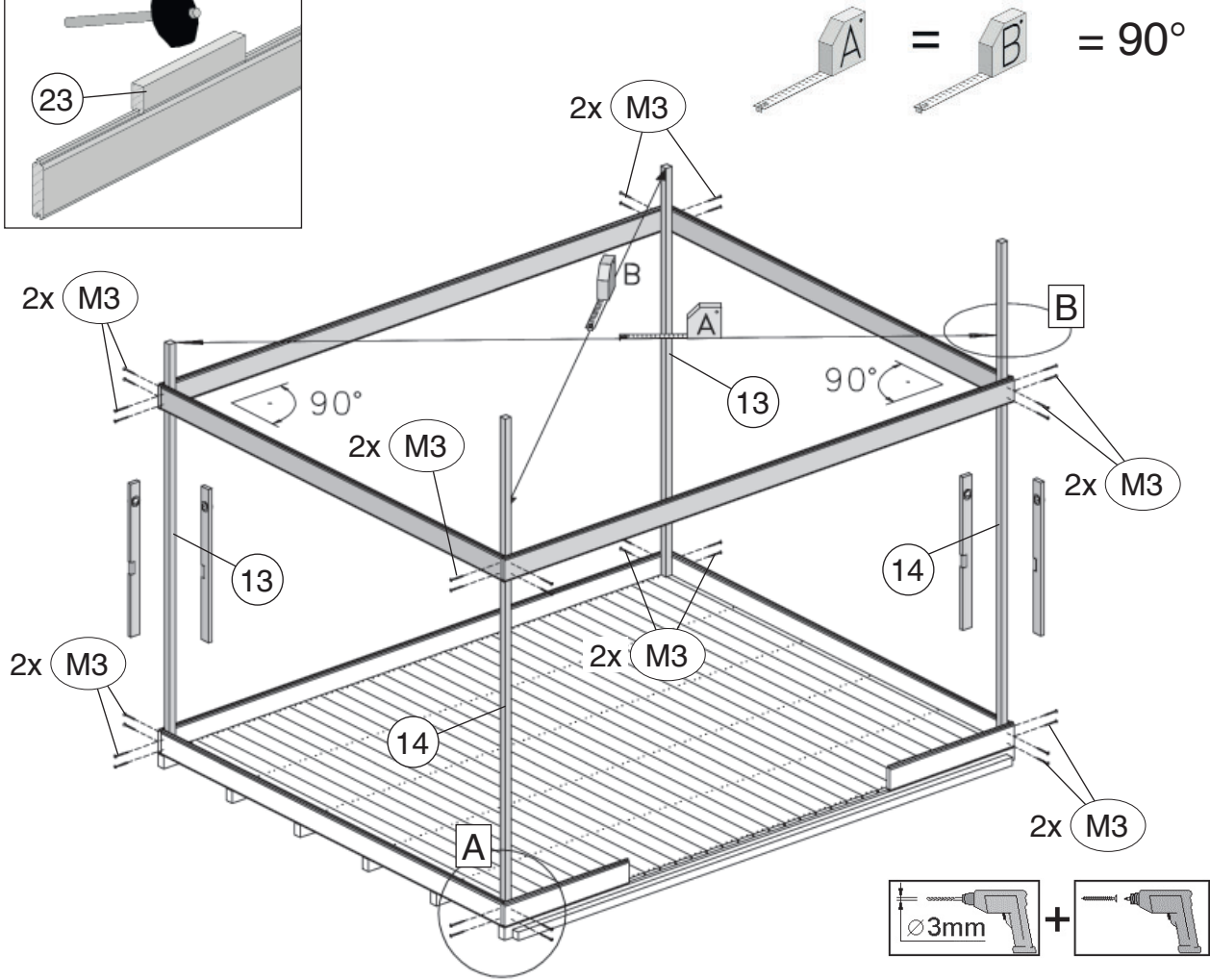
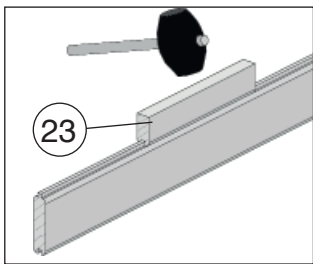


Abb.: 225.3024.

5

| | |
|-------------------------------------------------------------------------------------|-------------|
|  | M3 4,0 x 40 |
|-------------------------------------------------------------------------------------|-------------|



Die oberen Wandbohlen werden nur vorübergehend als Montagehilfe befestigt (Abb.5), später wieder abgenommen und an anderer Stelle montiert. (Abb.8)

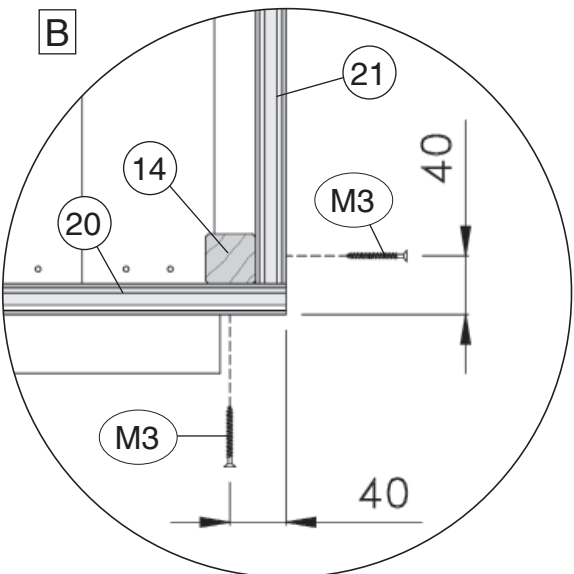
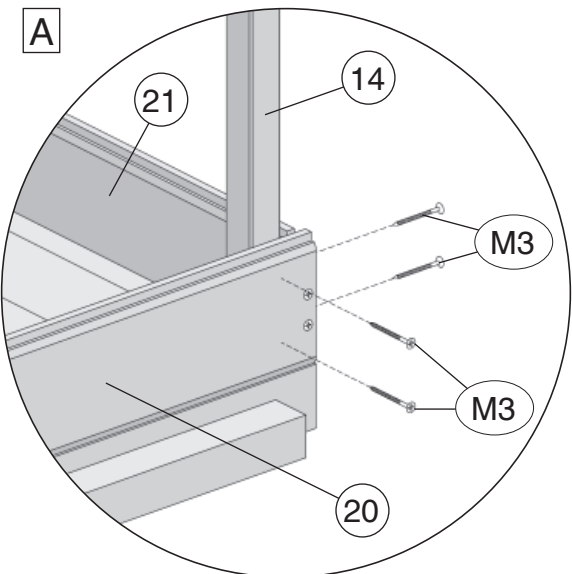

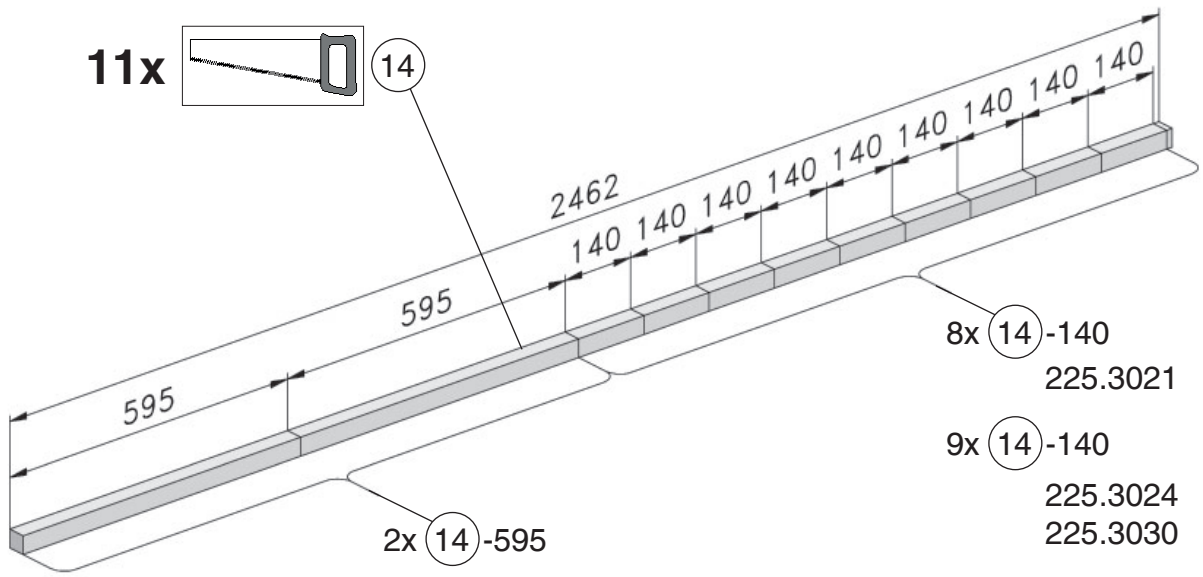


Abb.: 225.3024.

6

| | | |
|-------------------------------------------------------------------------------------|----|----------|
|  | M2 | 4,0 x 60 |
| | M3 | 4,0 x 40 |

6.1



6.2

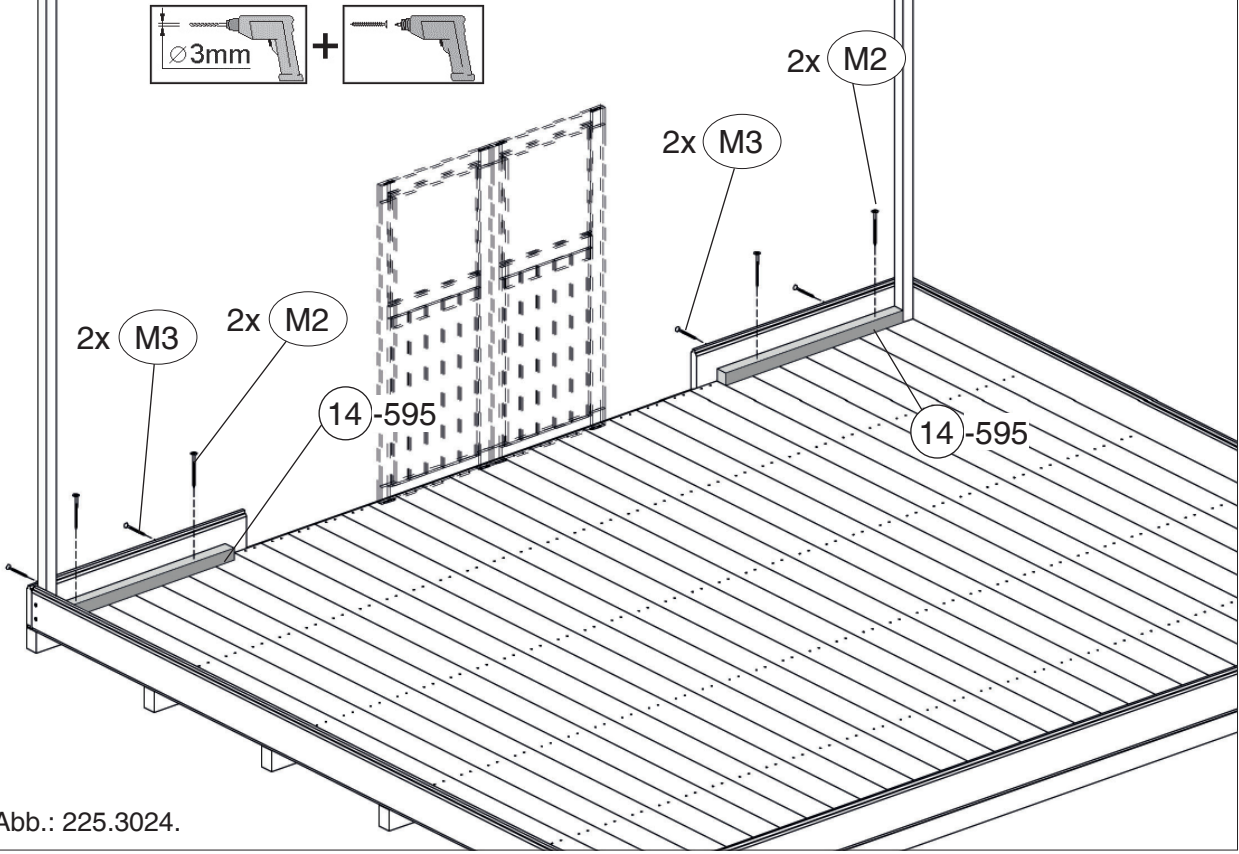
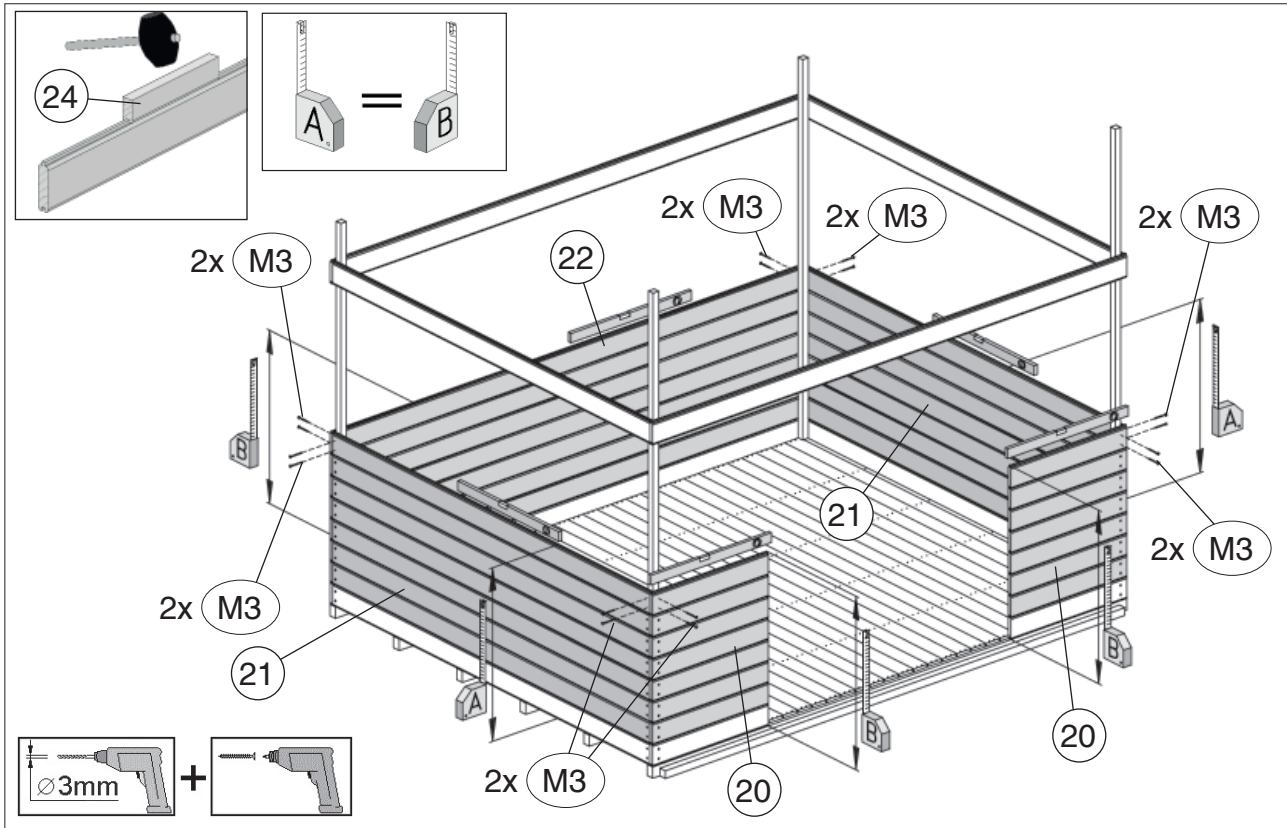
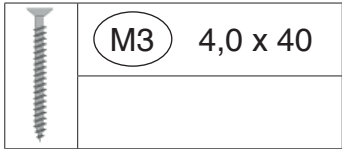


Abb.: 225.3024.

7



8

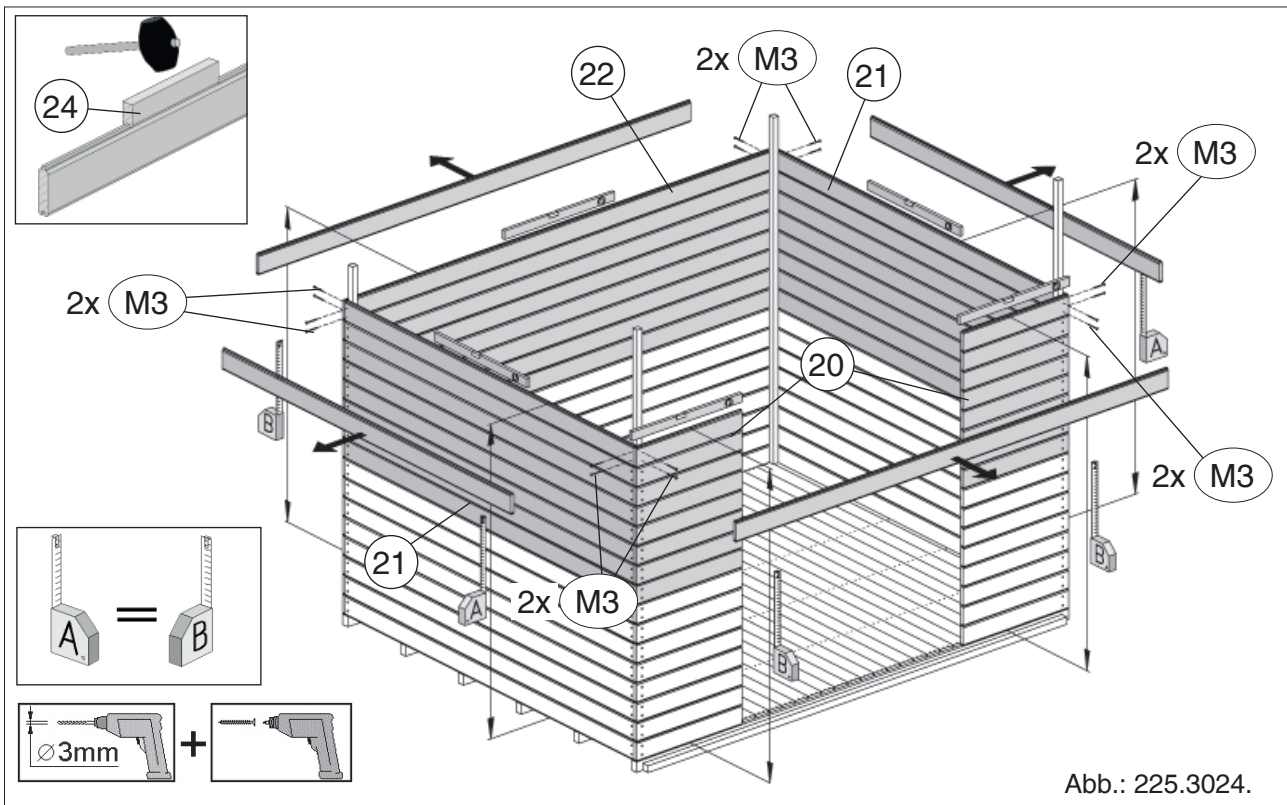
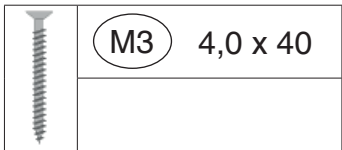

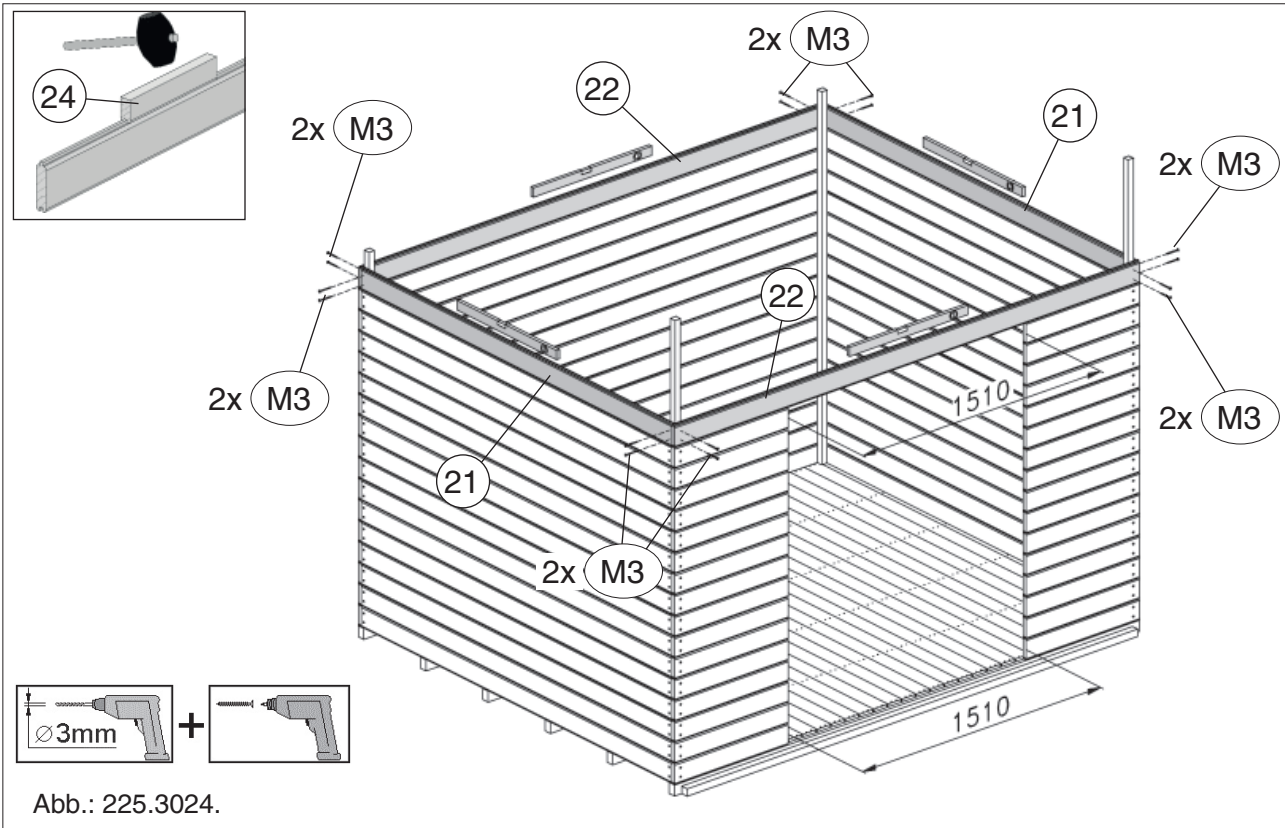




Abb.: 225.3024.

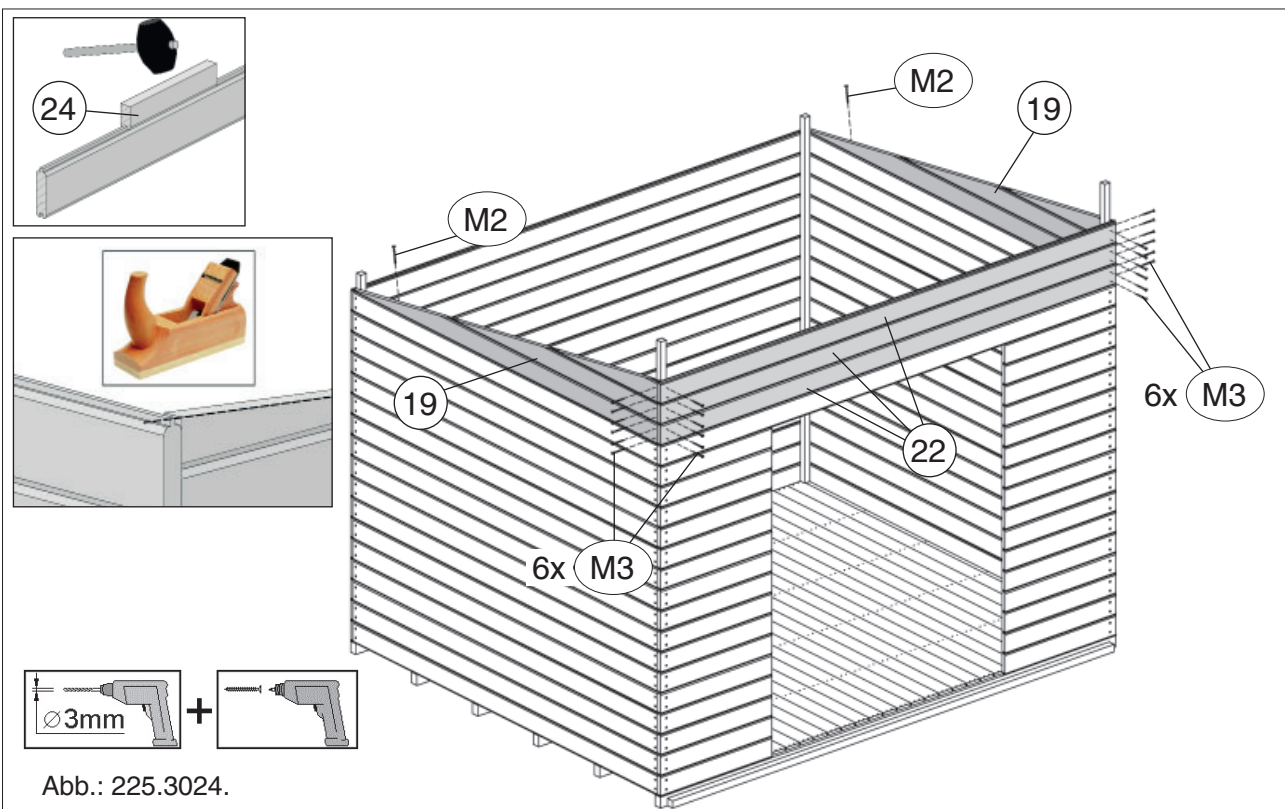
9

| | |
|-------------------------------------------------------------------------------------|-------------|
|  | M3 4,0 x 40 |
|-------------------------------------------------------------------------------------|-------------|

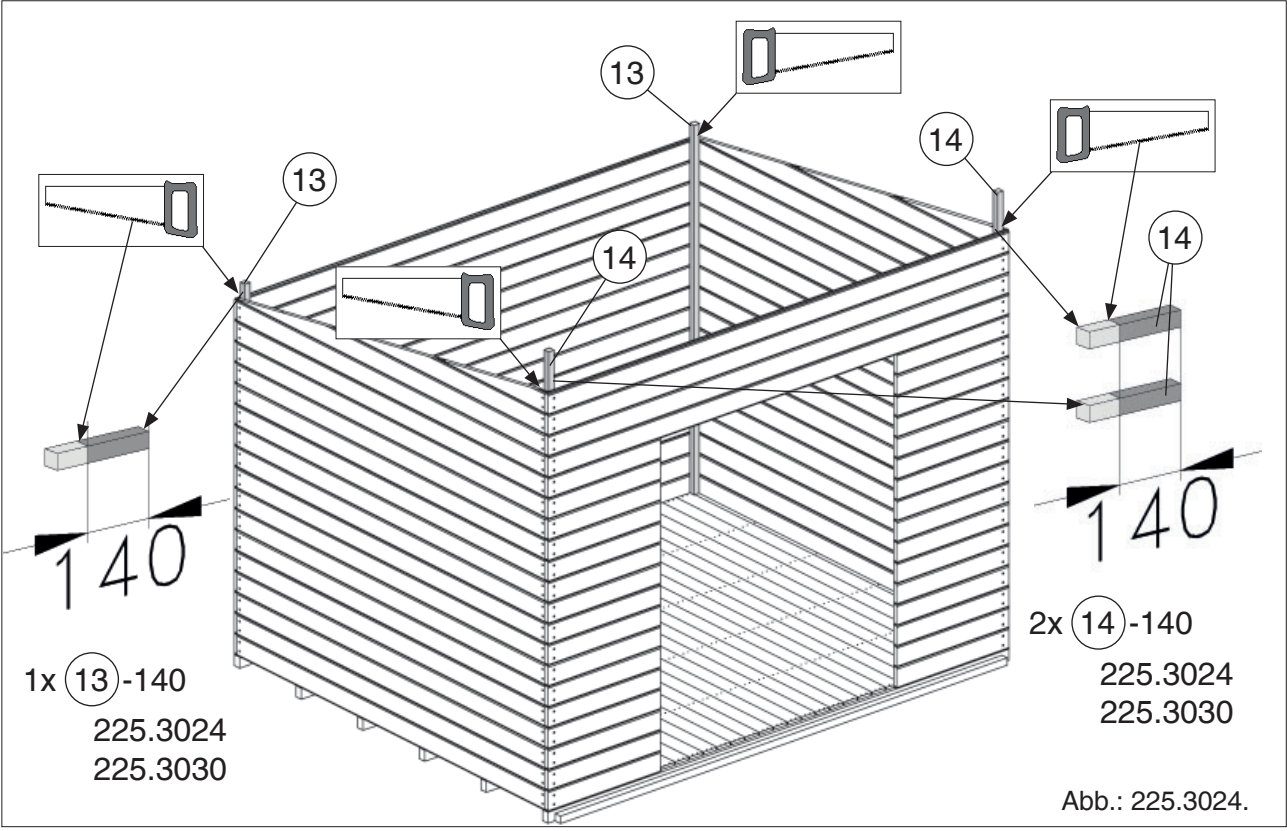


10

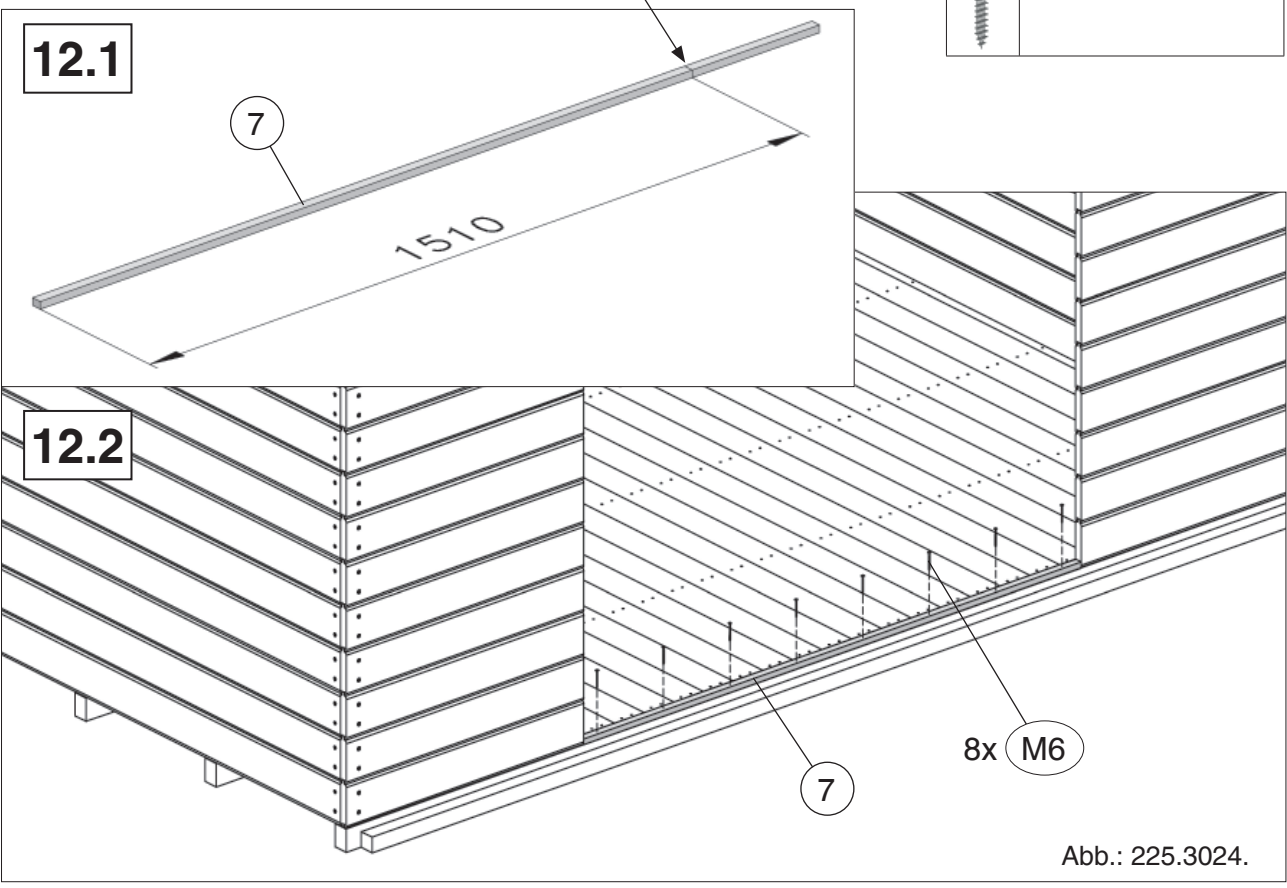
| | |
|---------------------------------------------------------------------------------------|-------------|
|  | M2 4,0 x 60 |
|  | M3 4,0 x 40 |





11



12



13

| | |
|-------------------------------------------------------------------------------------|-------------|
|  | M4 3,5 x 25 |
|  | M2 4,0 x 60 |

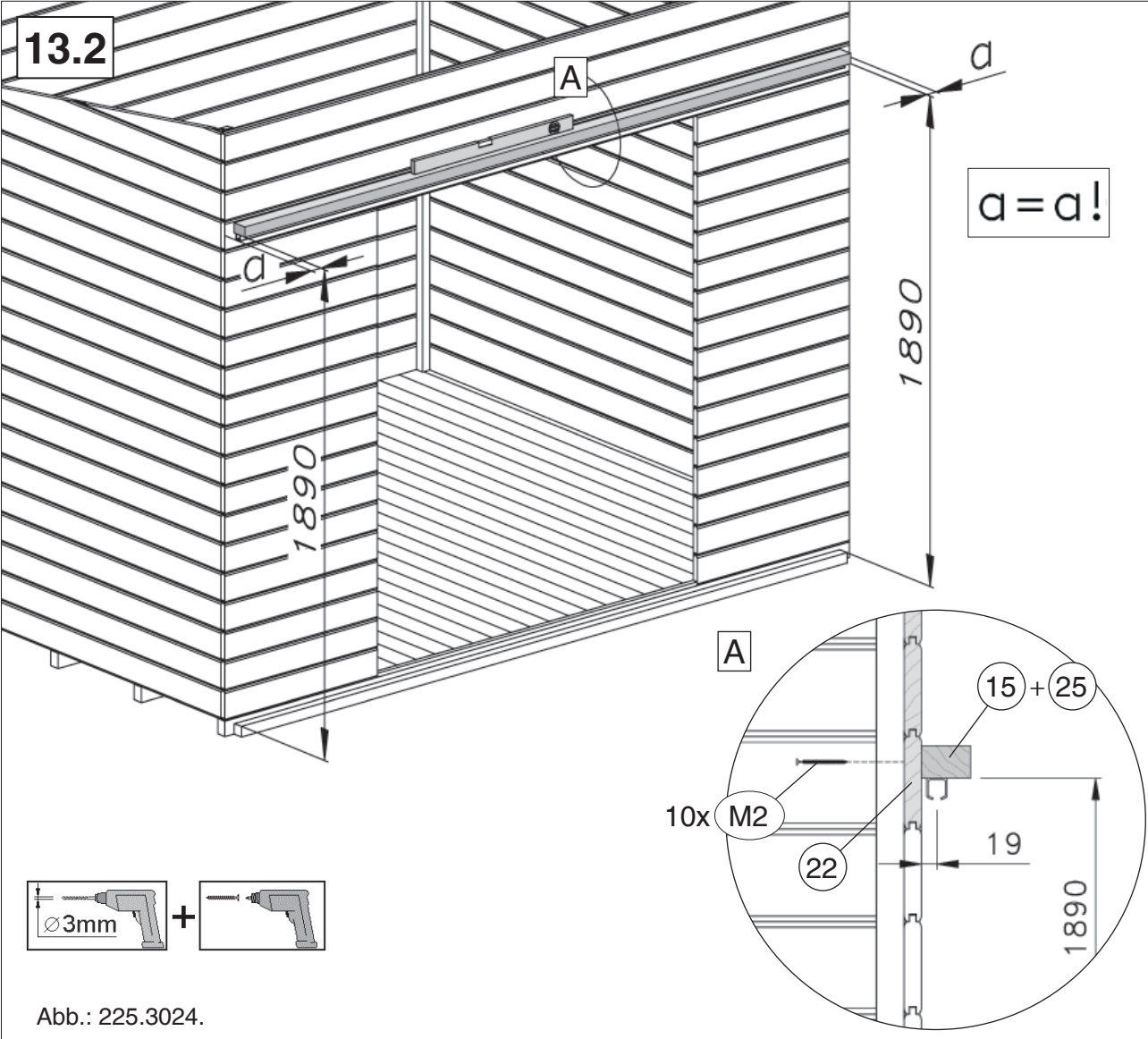
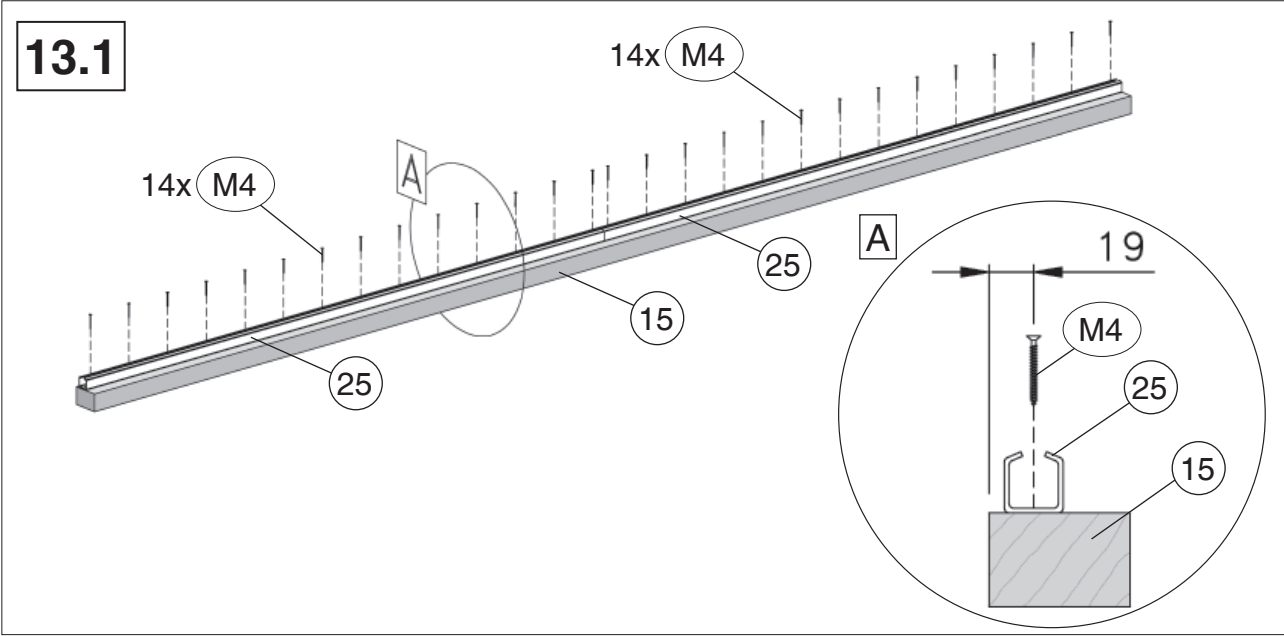
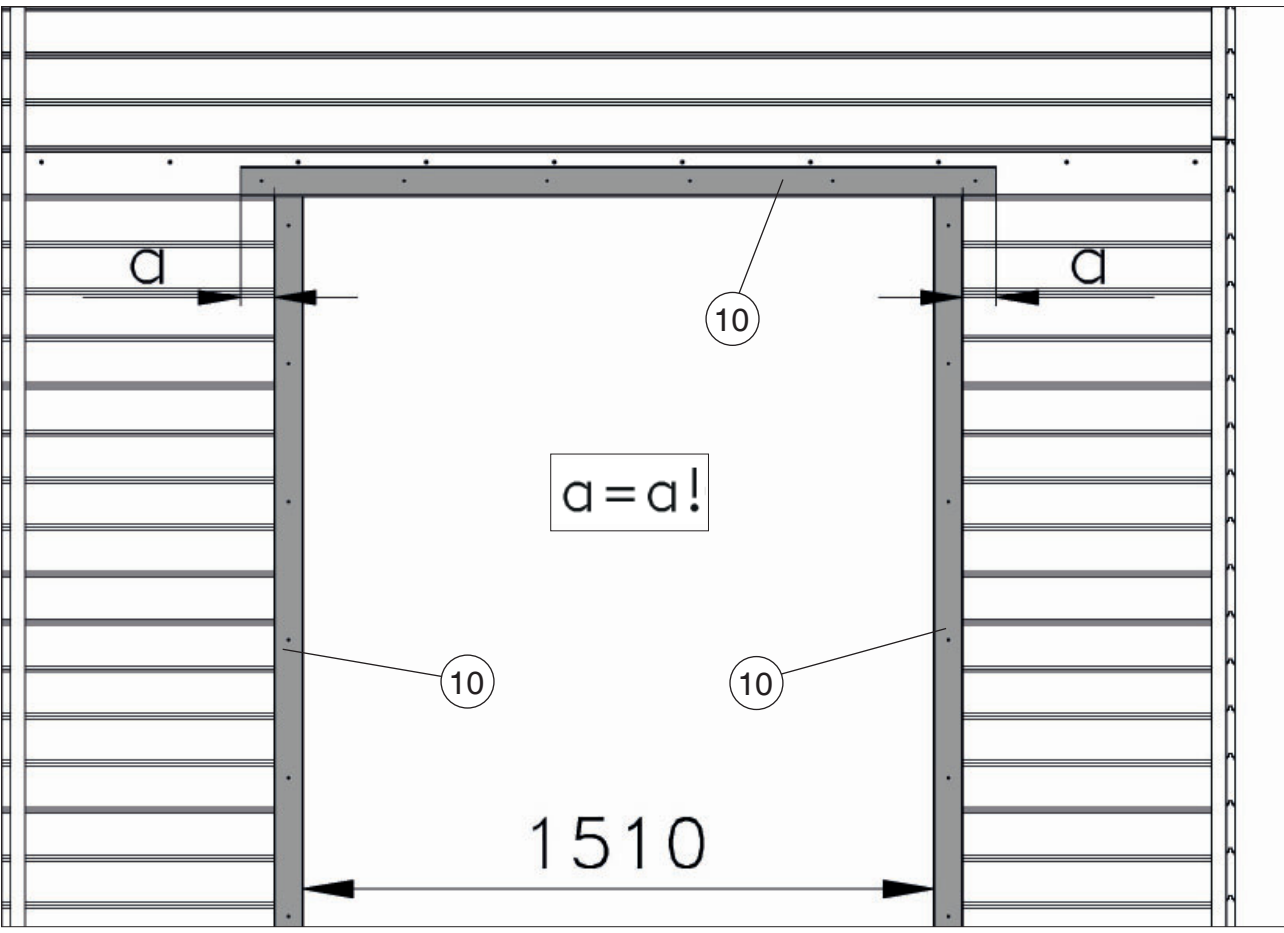
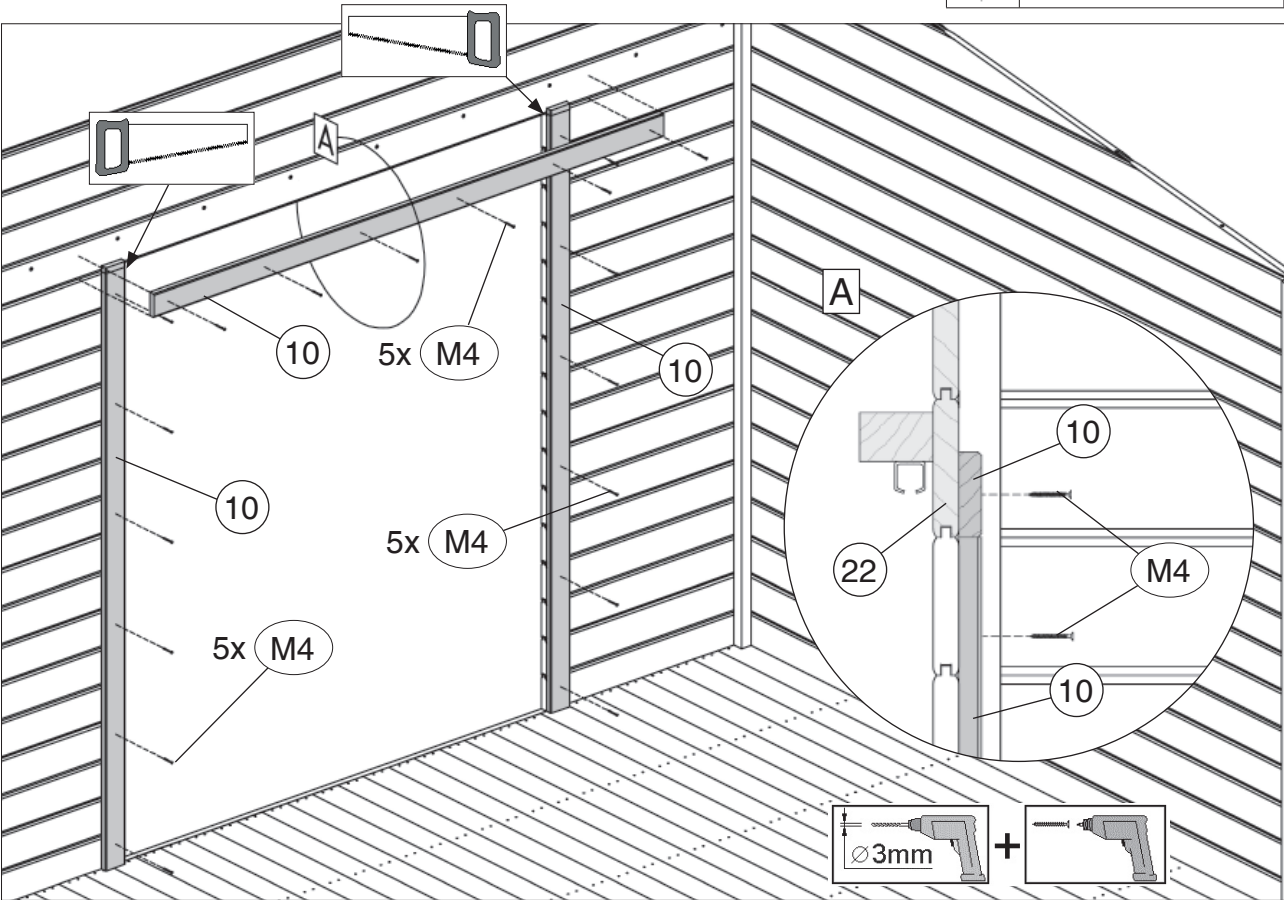




Abb.: 225.3024.

14



| | | |
|-------------------------------------------------------------------------------------|----|----------|
|  | M4 | 3,5 x 35 |
|  | M5 | 3,5 x 30 |

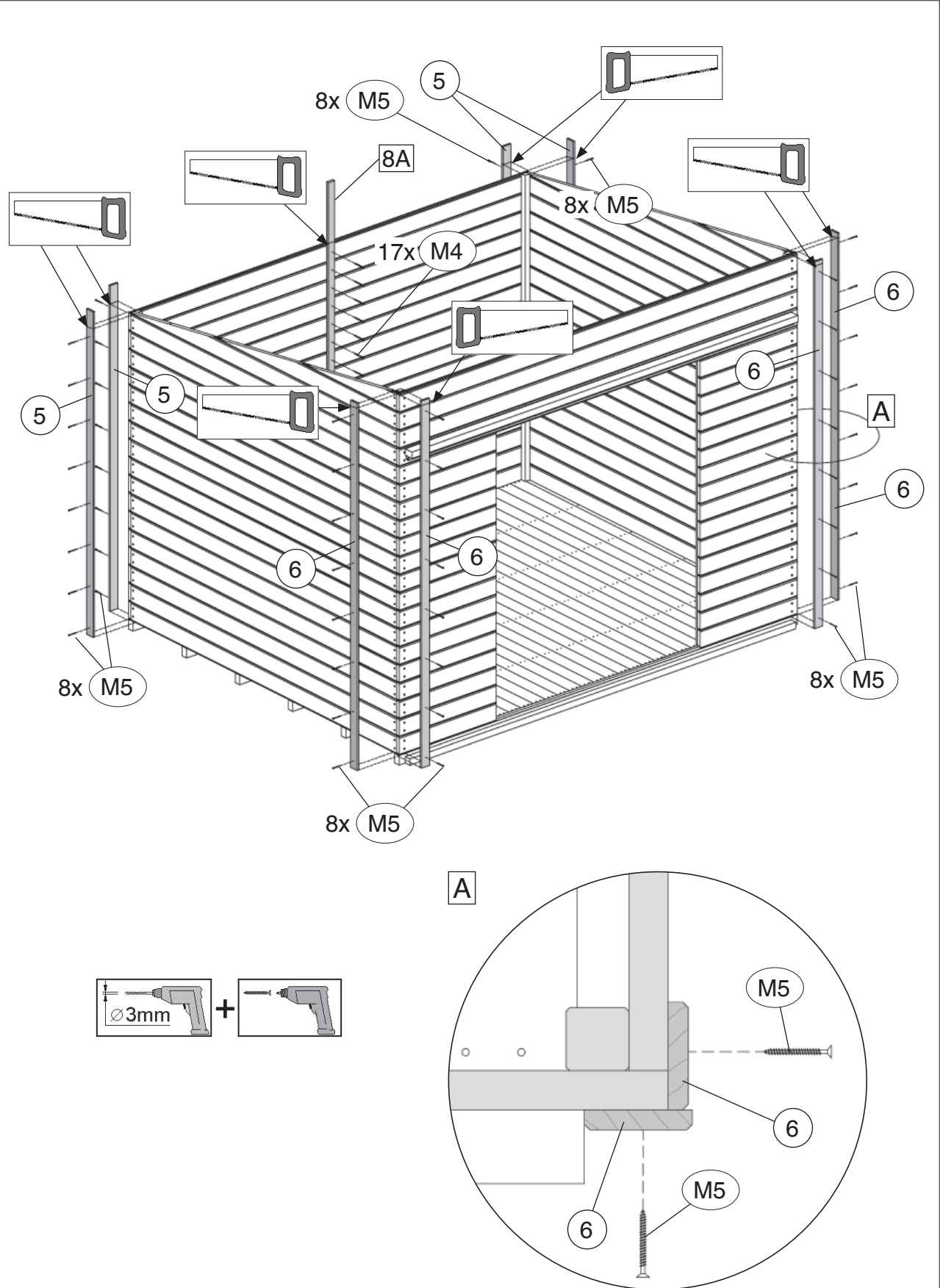

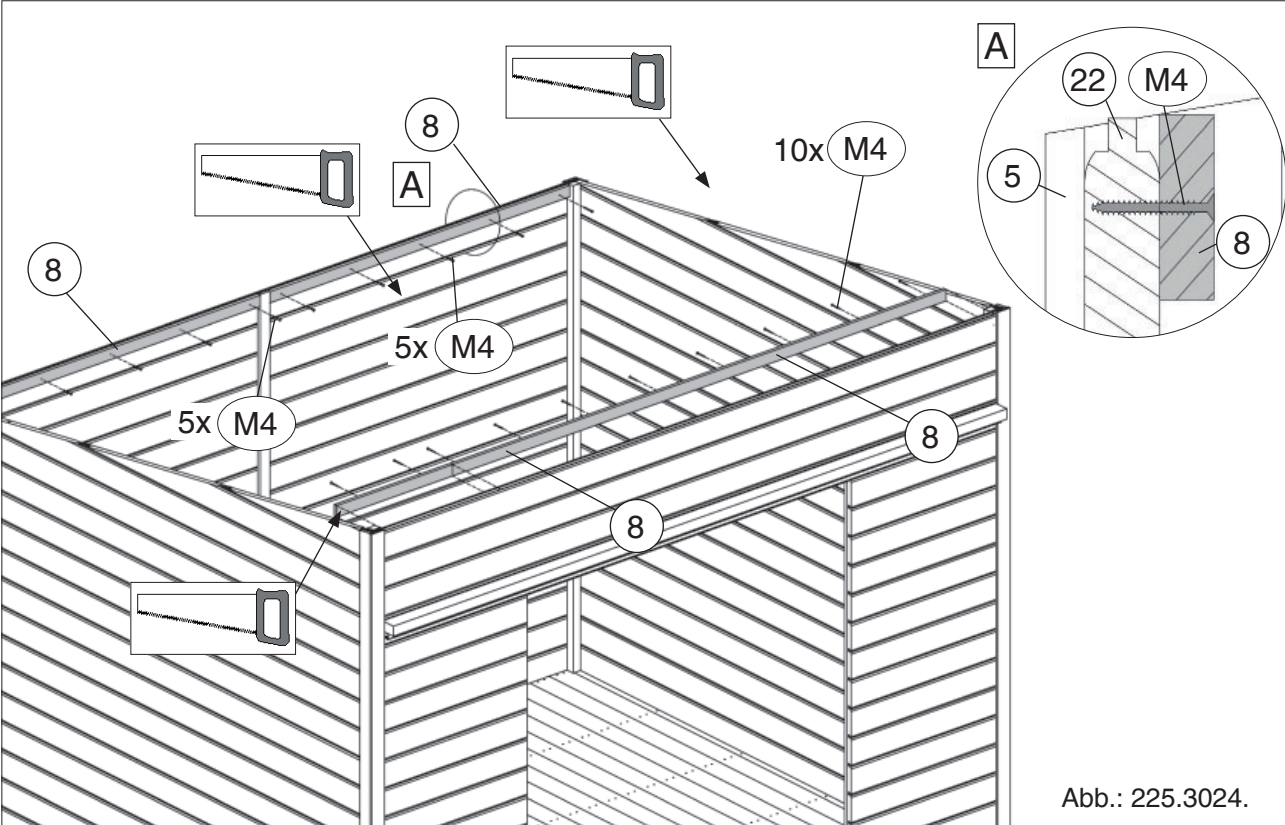



Abb.: 225.3024.

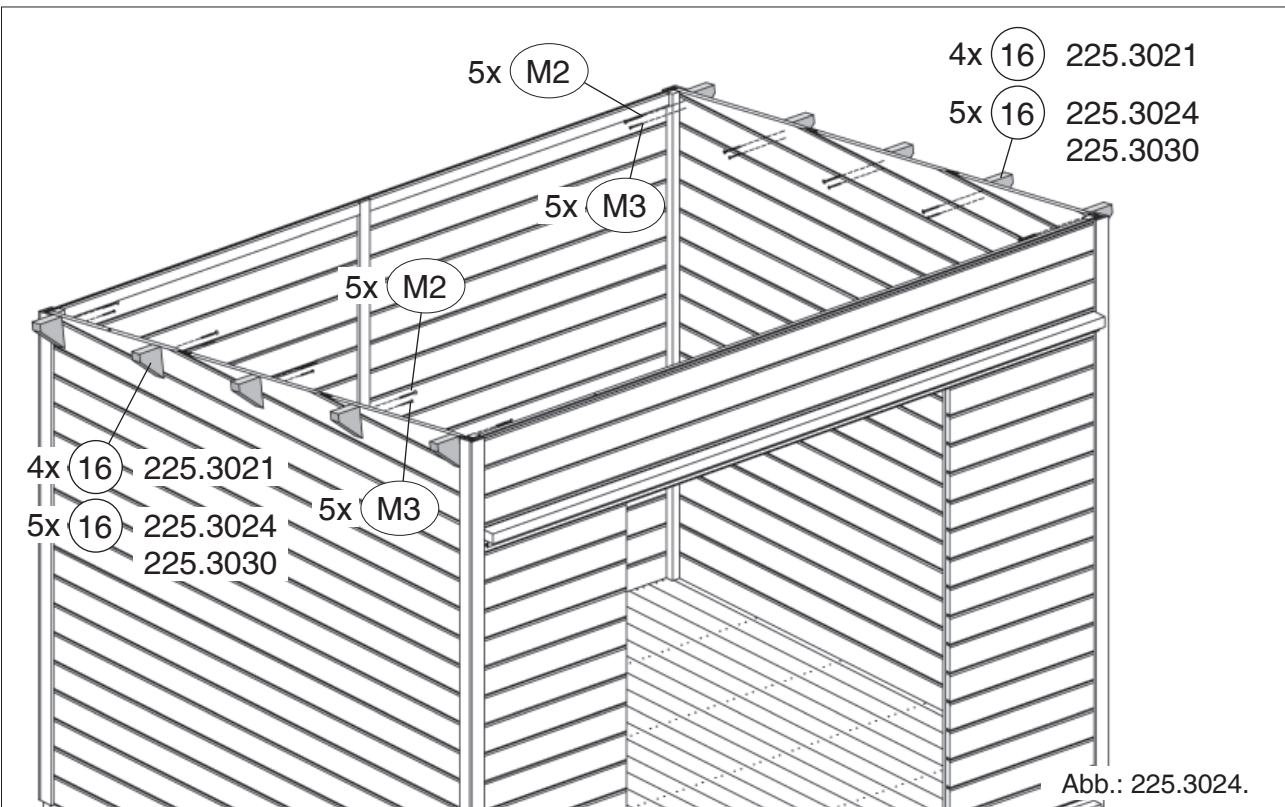
16


| | |
|-------------------------------------------------------------------------------------|-------------|
|  | M4 3,5 x 35 |
|-------------------------------------------------------------------------------------|-------------|



17

| | |
|---------------------------------------------------------------------------------------|-------------|
|  | M2 4,0 x 60 |
| | M3 4,0 x 40 |



| | | |
|-------------------------------------------------------------------------------------|----|----------|
|  | M2 | 4,0 x 60 |
| | M3 | 4,0 x 40 |

18.1

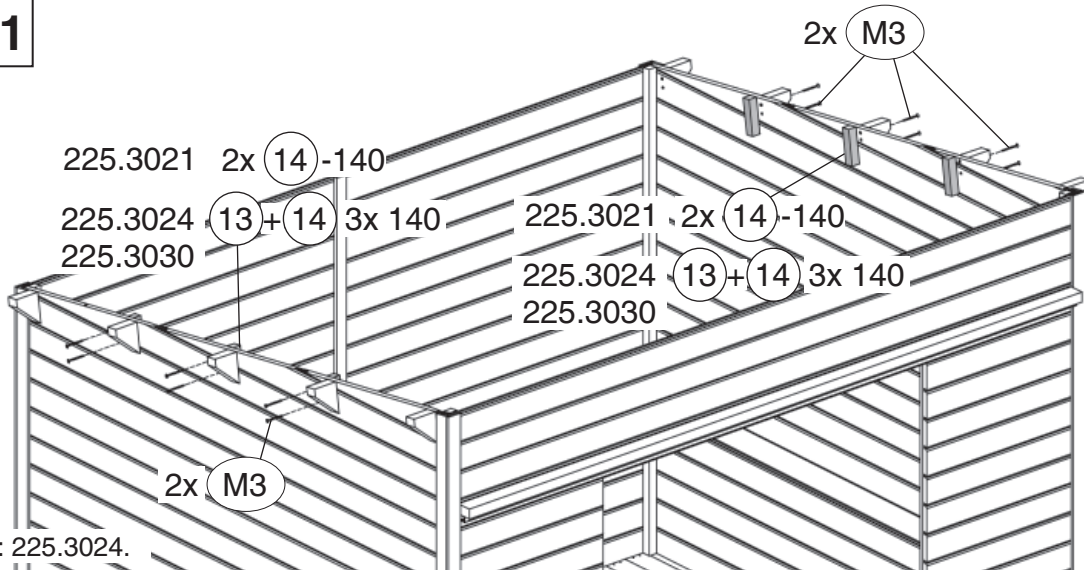


Abb.: 225.3024.

18.2

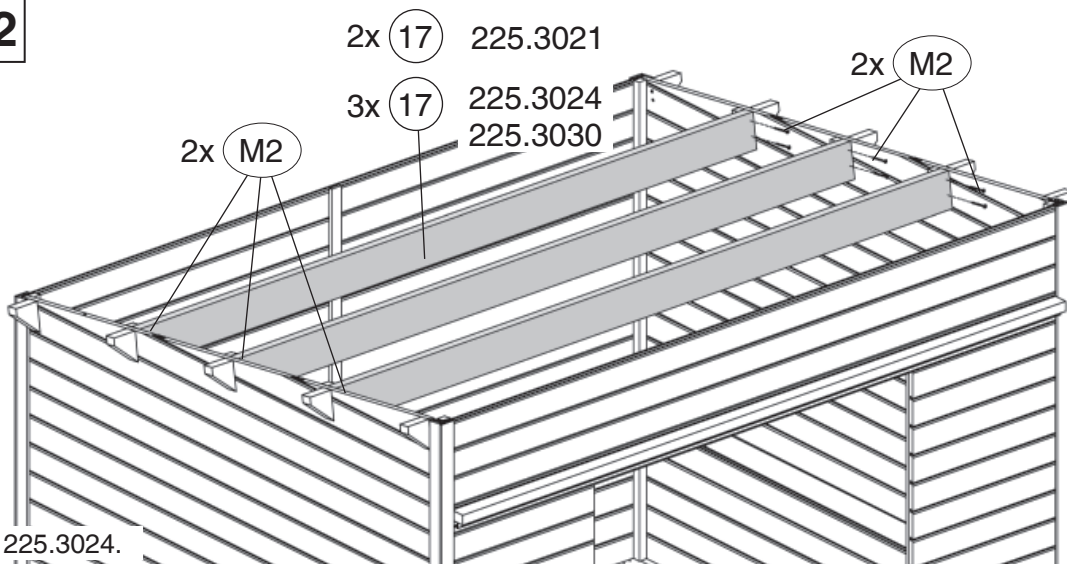


Abb.: 225.3024.

18.3

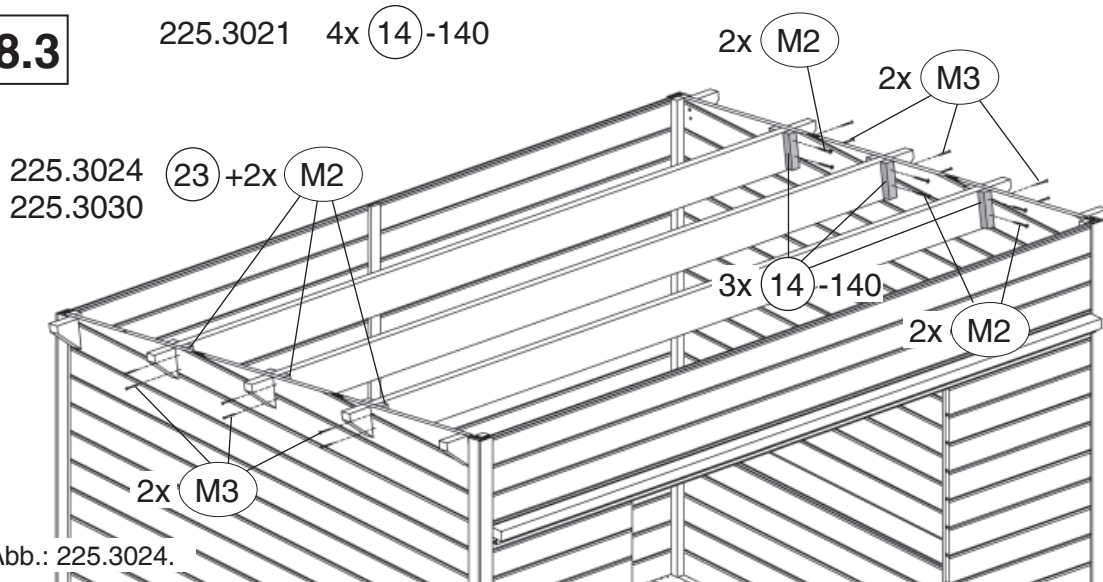


Abb.: 225.3024.

19

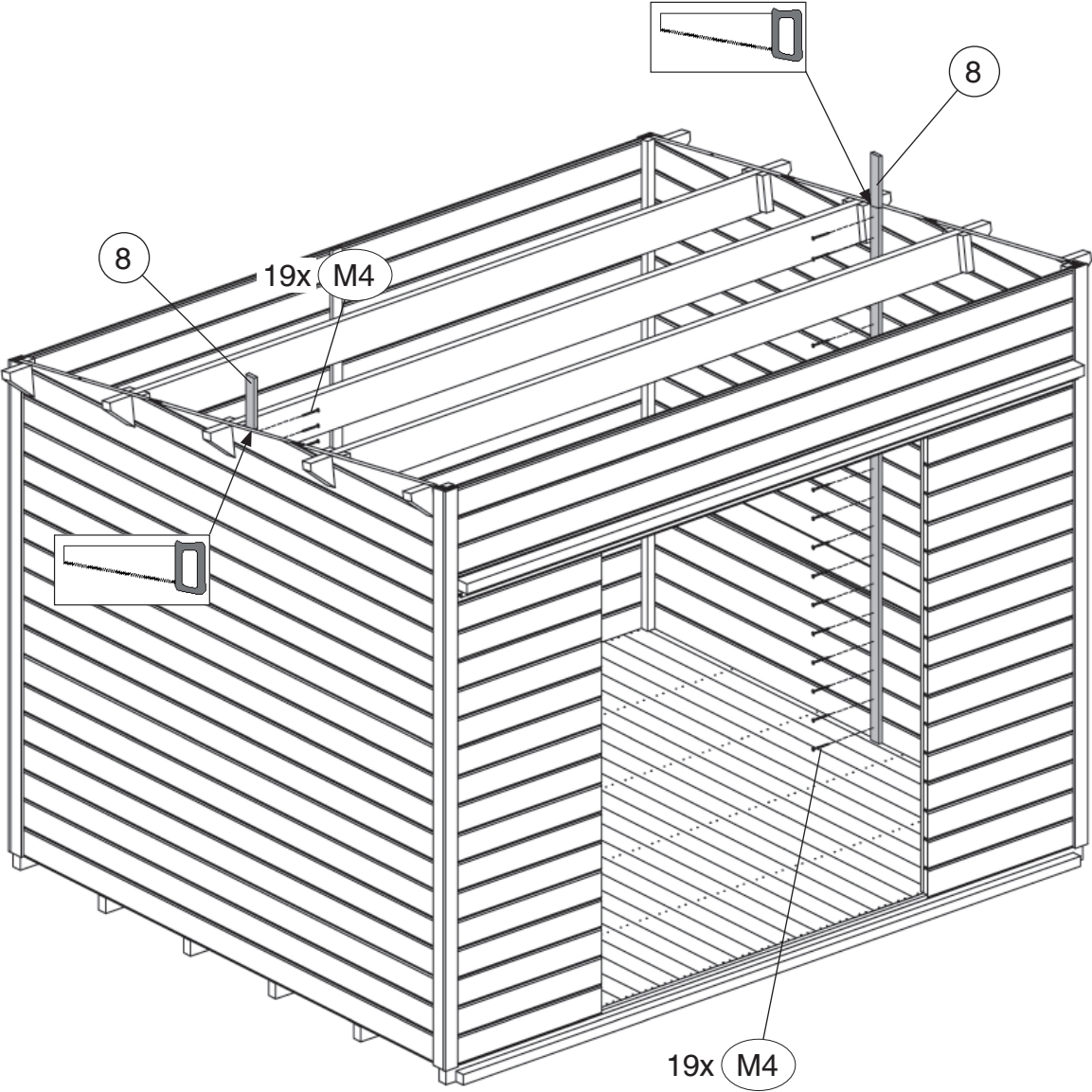
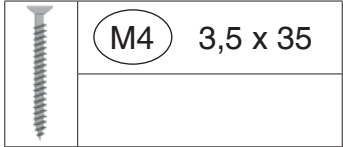



Abb.: 225.3024.

| | |
|-------------------------------------------------------------------------------------|-------------|
|  | M8 2,2 x 55 |
| | |

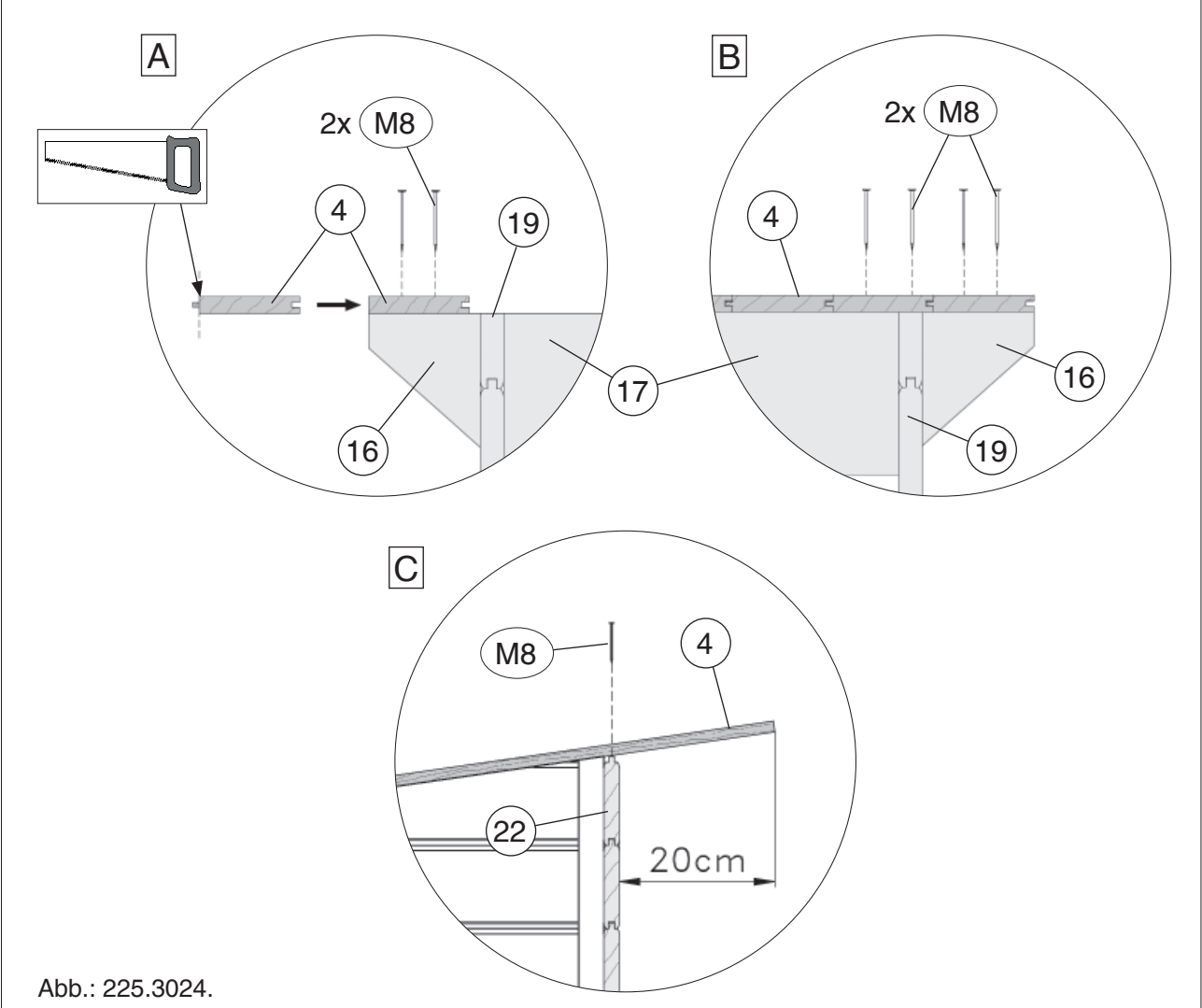
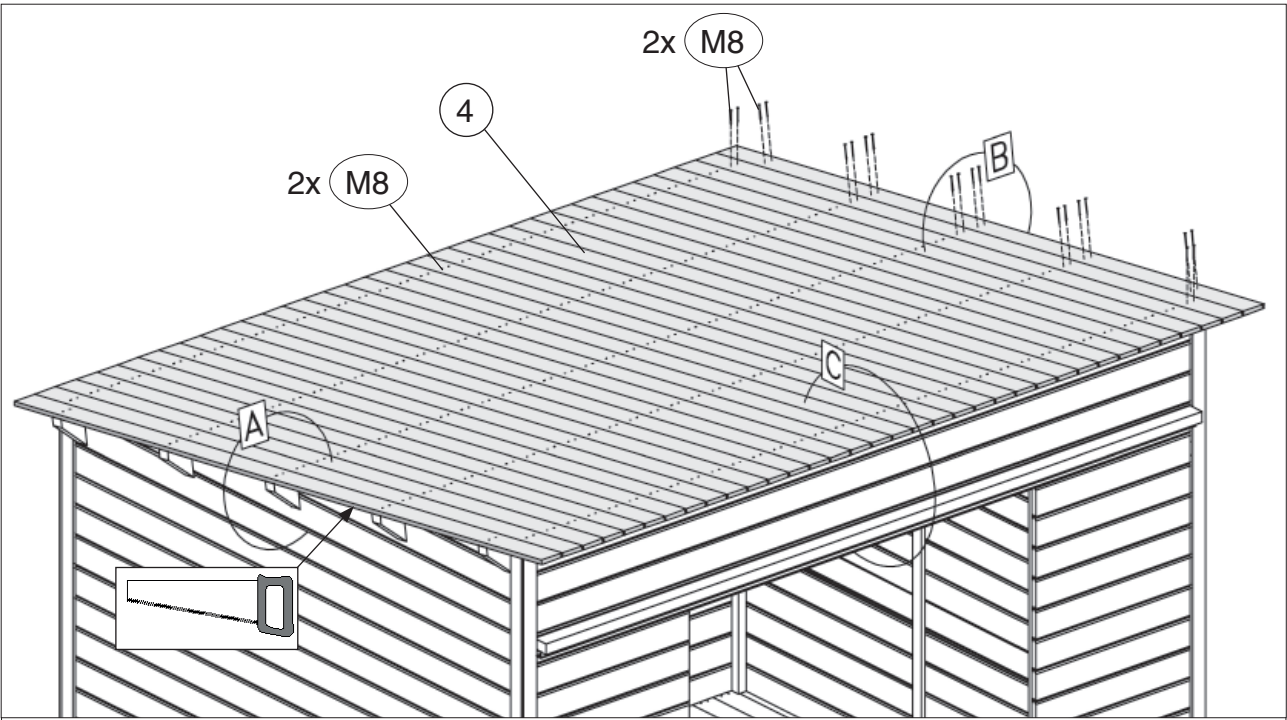



Abb.: 225.3024.

| | |
|-------------------------------------------------------------------------------------|-------------|
|  | M5 3,5 x 30 |
| | |

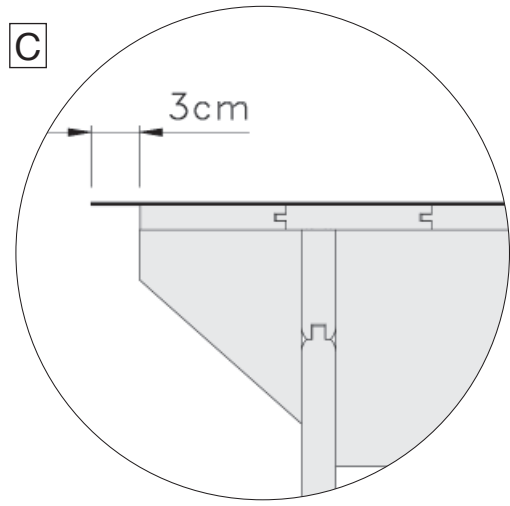
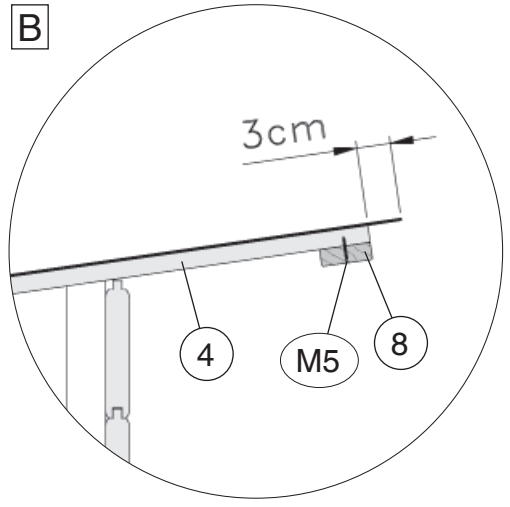
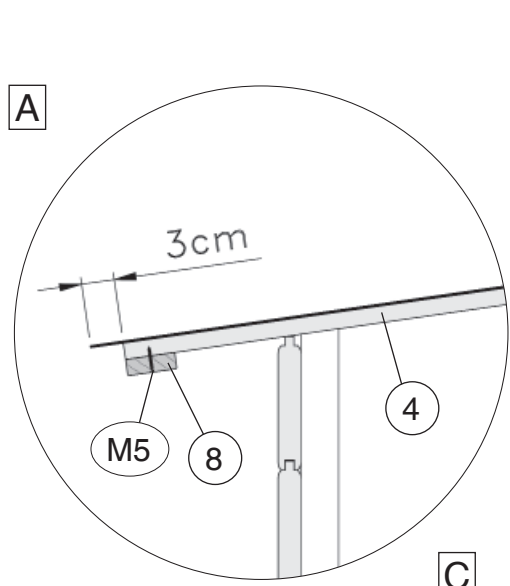
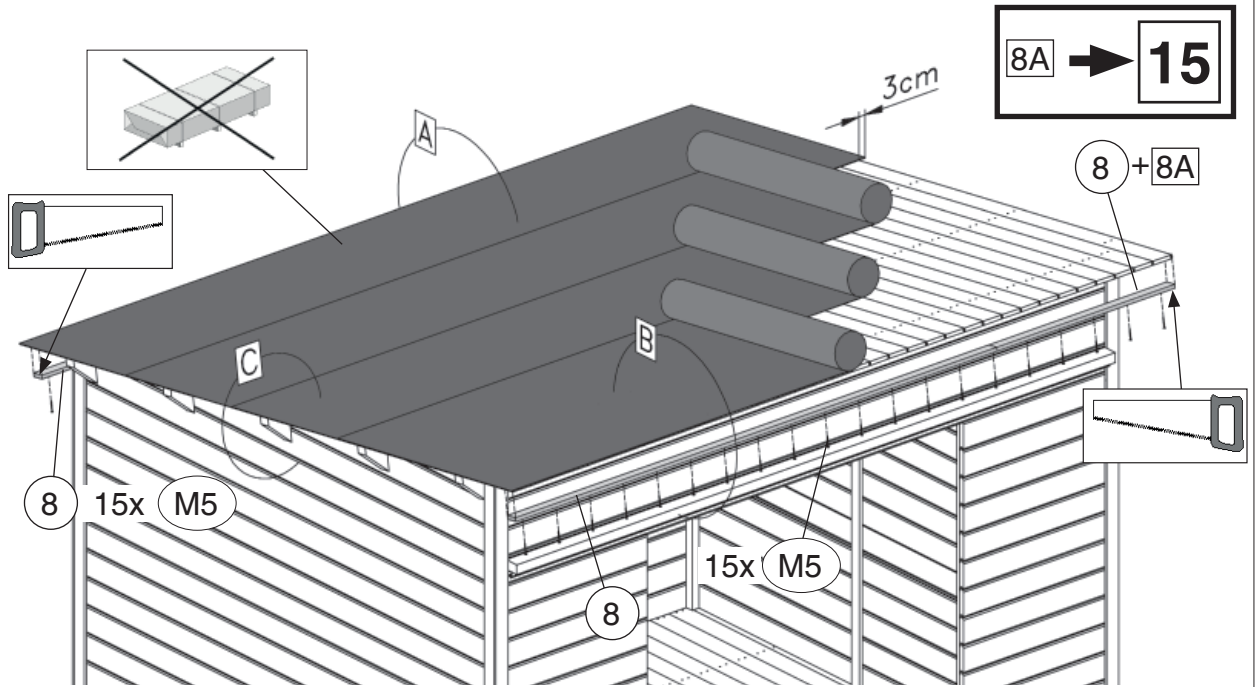
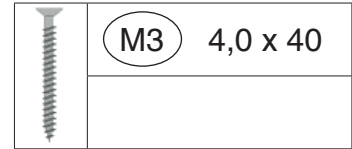
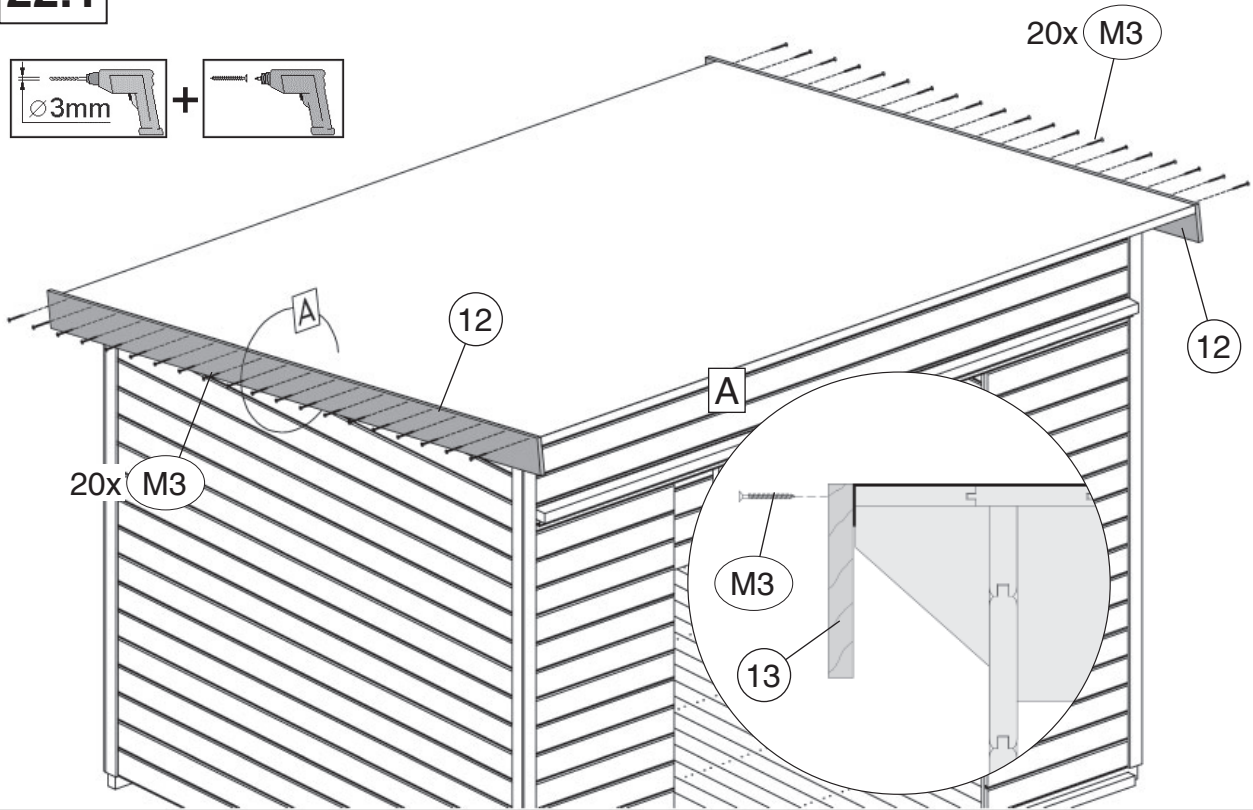
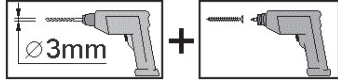


Abb.: 225.3024.



22.1



22.2

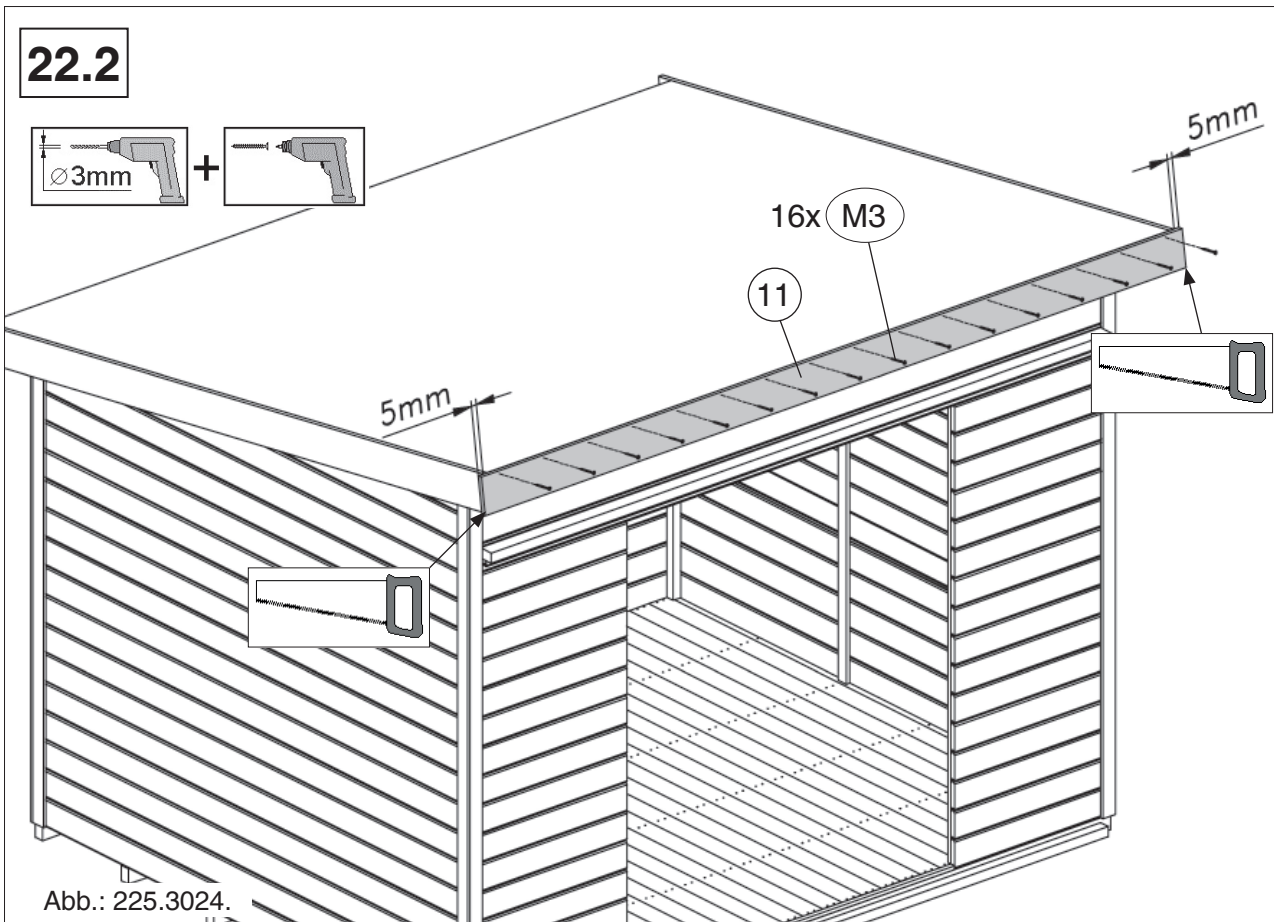
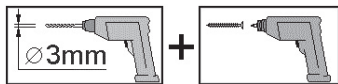

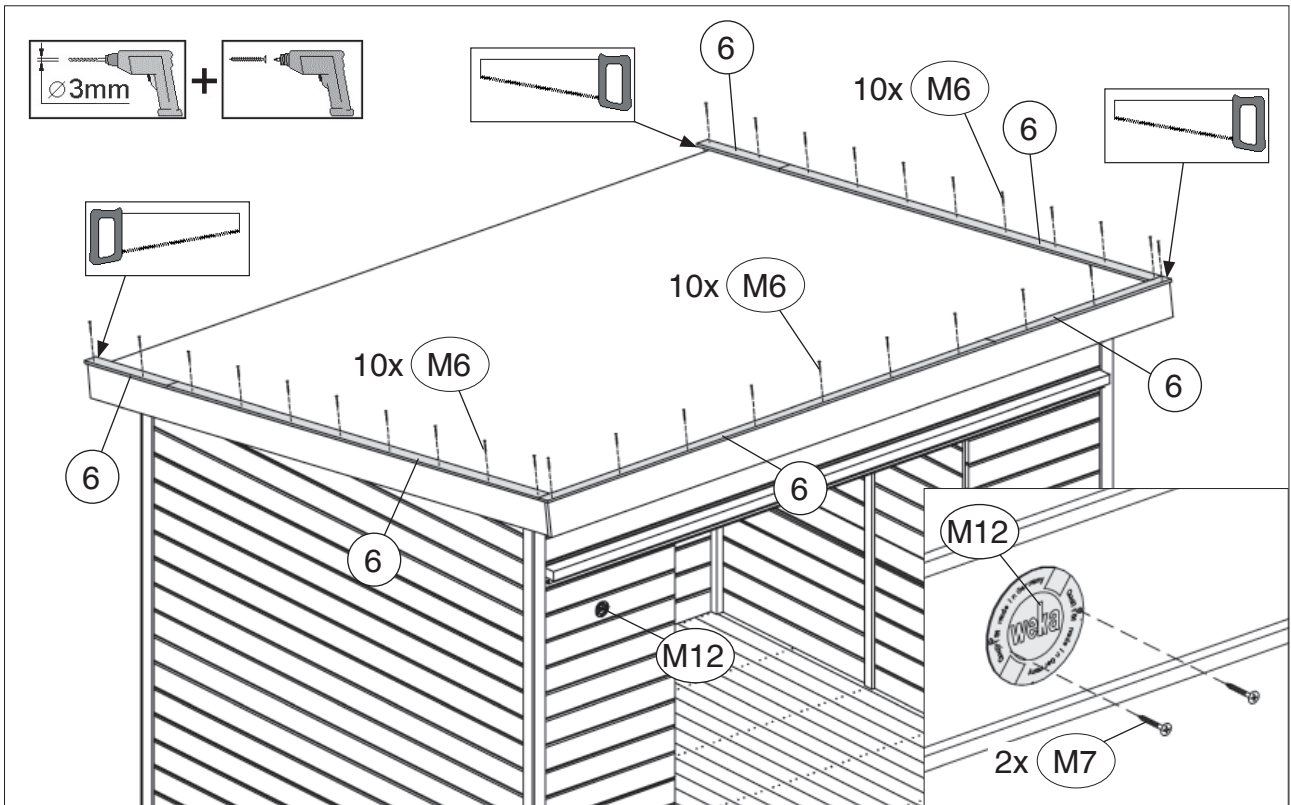


Abb.: 225.3024.


23

| | |
|-----------------------------------------------------------------------------------|-------------|
|  | M6 3,5 x 25 |
| | |

| | |
|-------------------------------------------------------------------------------------|-------------|
|  | M7 2,5 x 16 |
| | M12 ø65 |



24

| | |
|---------------------------------------------------------------------------------------|-------------|
|  | M3 4,0 x 40 |
|---------------------------------------------------------------------------------------|-------------|

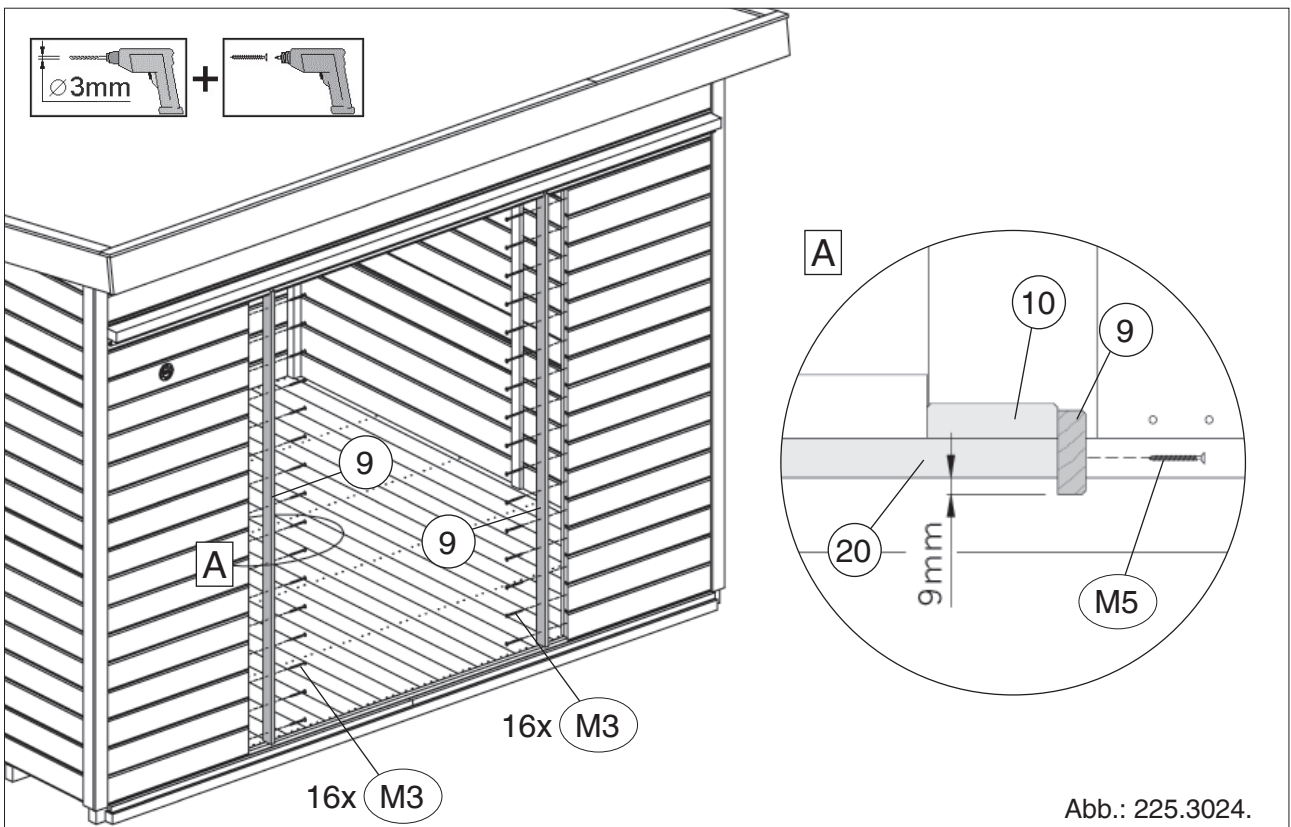



Abb.: 225.3024.

25

| | |
|-------------------------------------------------------------------------------------|-------------|
|  | M3 4,0 x 40 |
|-------------------------------------------------------------------------------------|-------------|

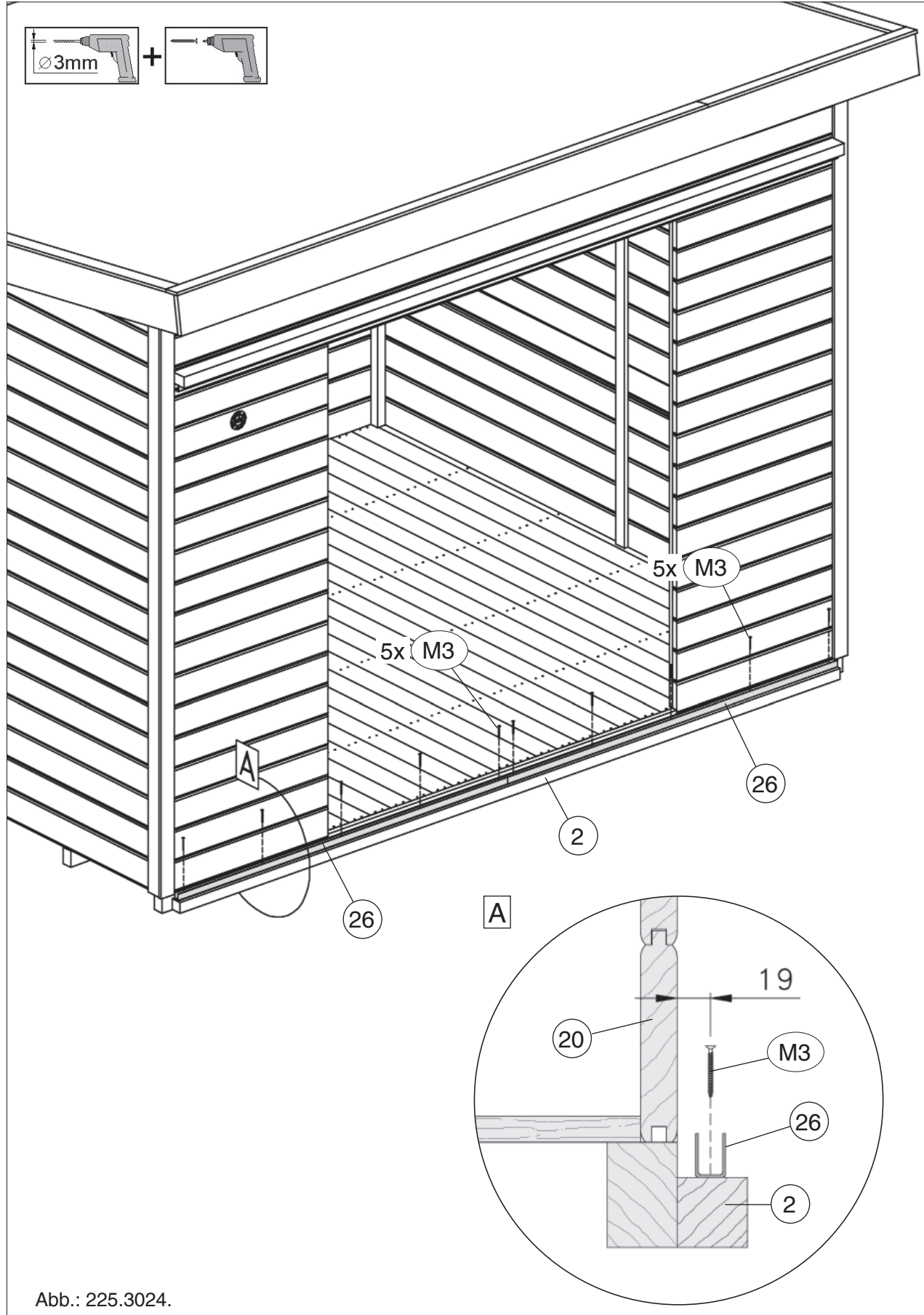
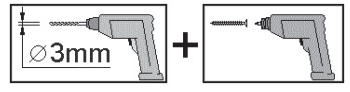


Abb.: 225.3024.

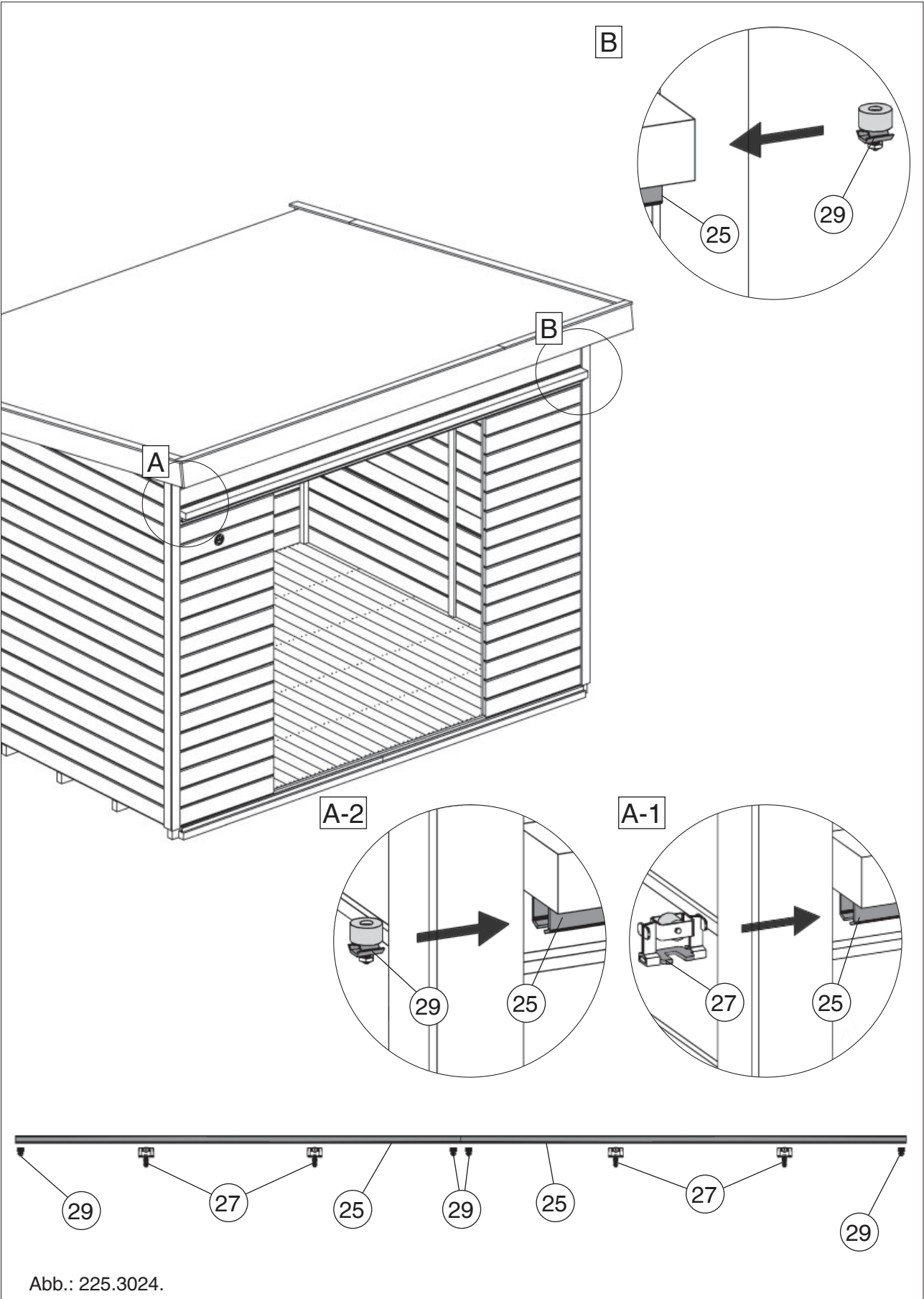

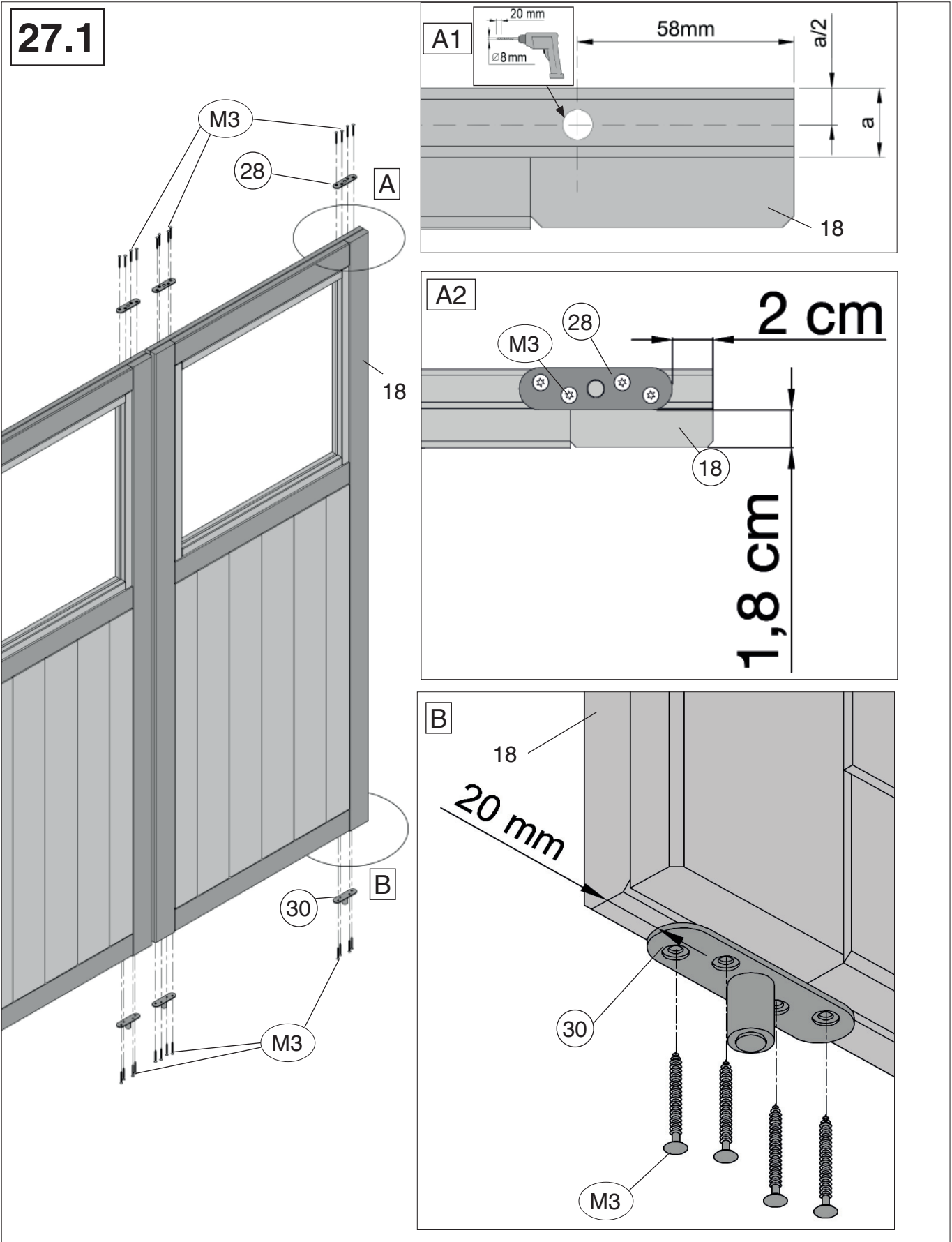


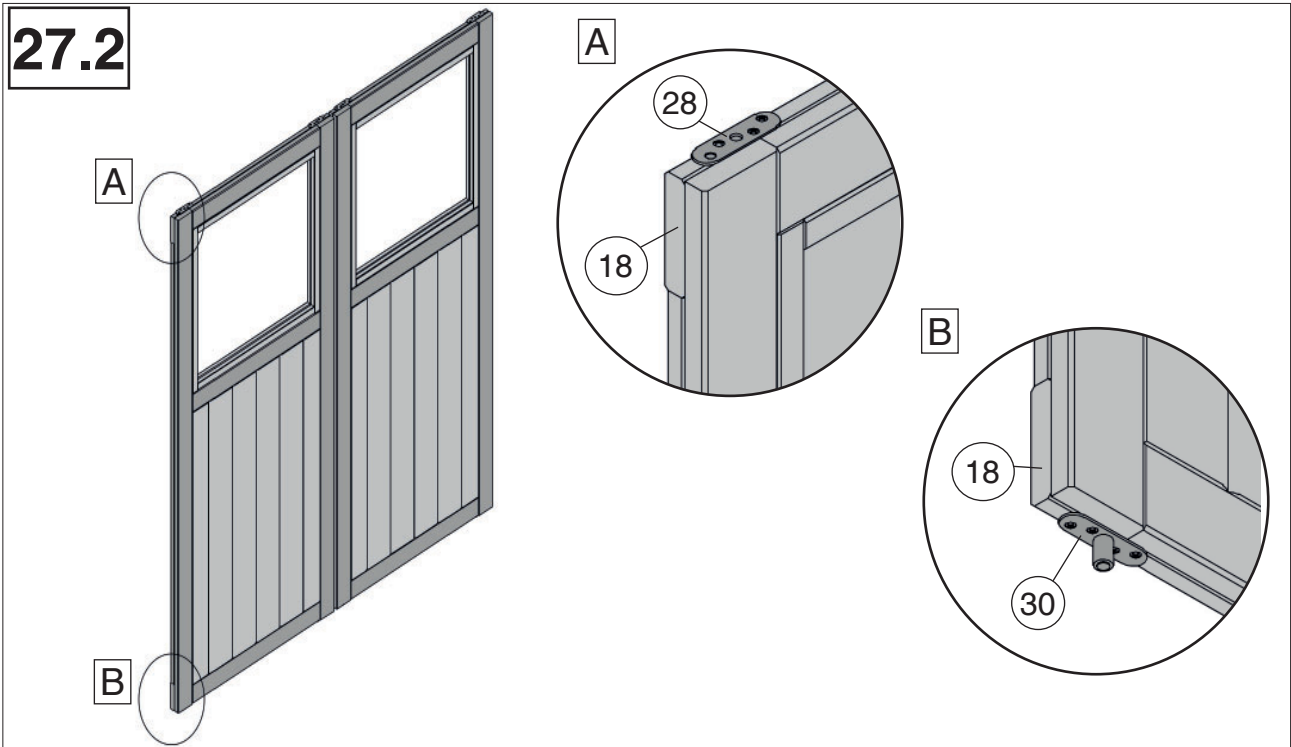
Abb.: 225.3024.

| | |
|-------------------------------------------------------------------------------------|-------------|
|  | M3 4,0 x 40 |
|-------------------------------------------------------------------------------------|-------------|

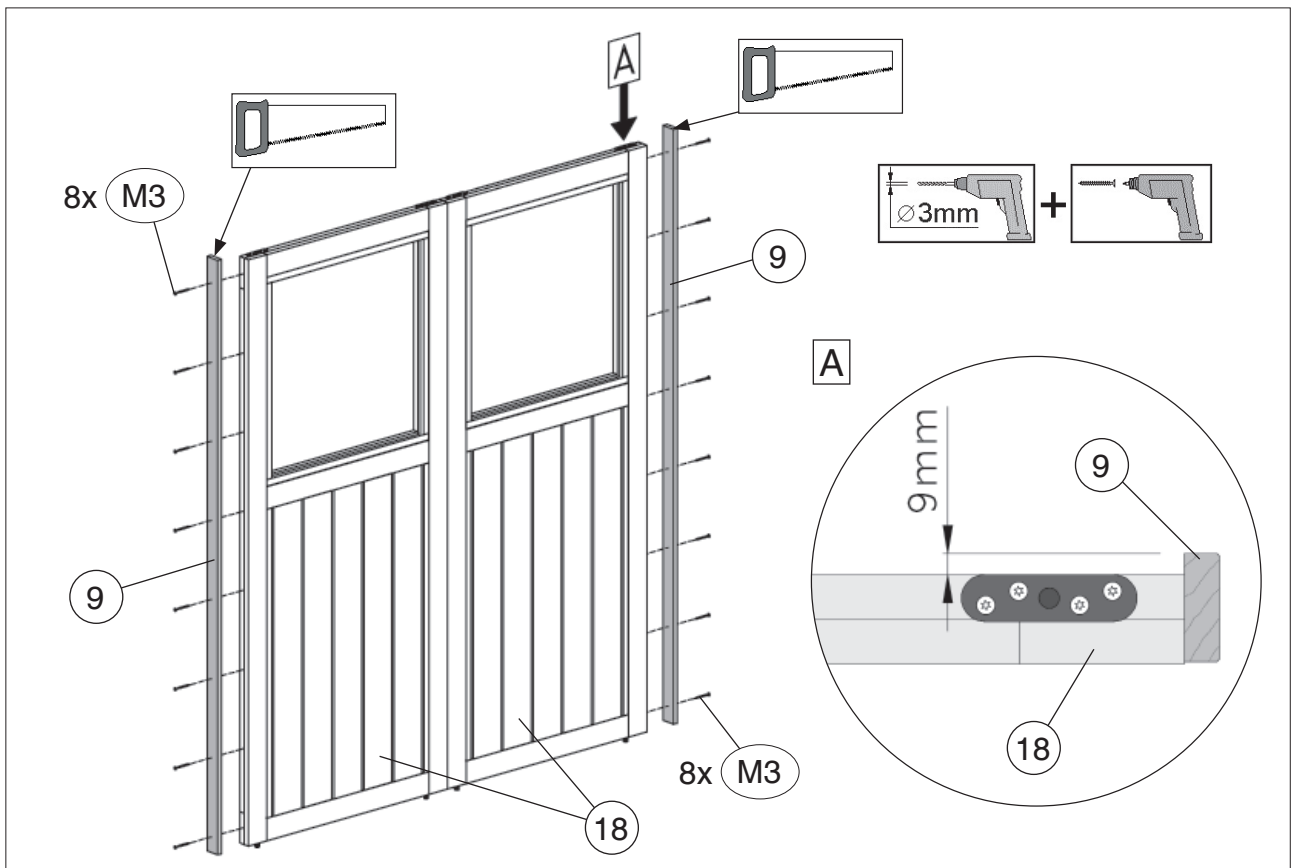
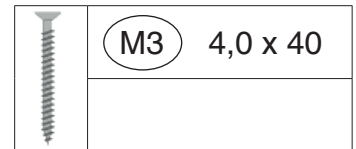


27


27.2




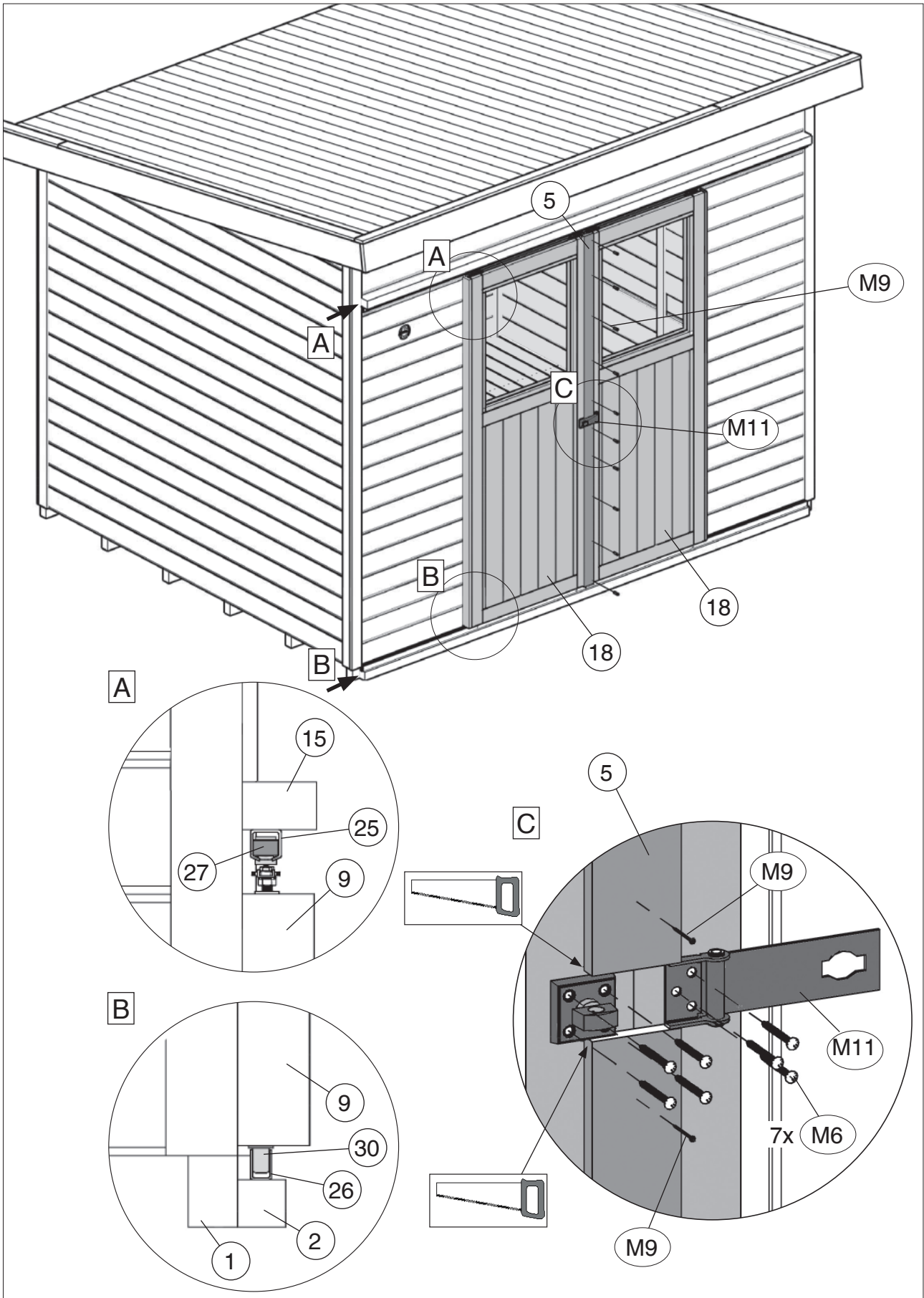
28

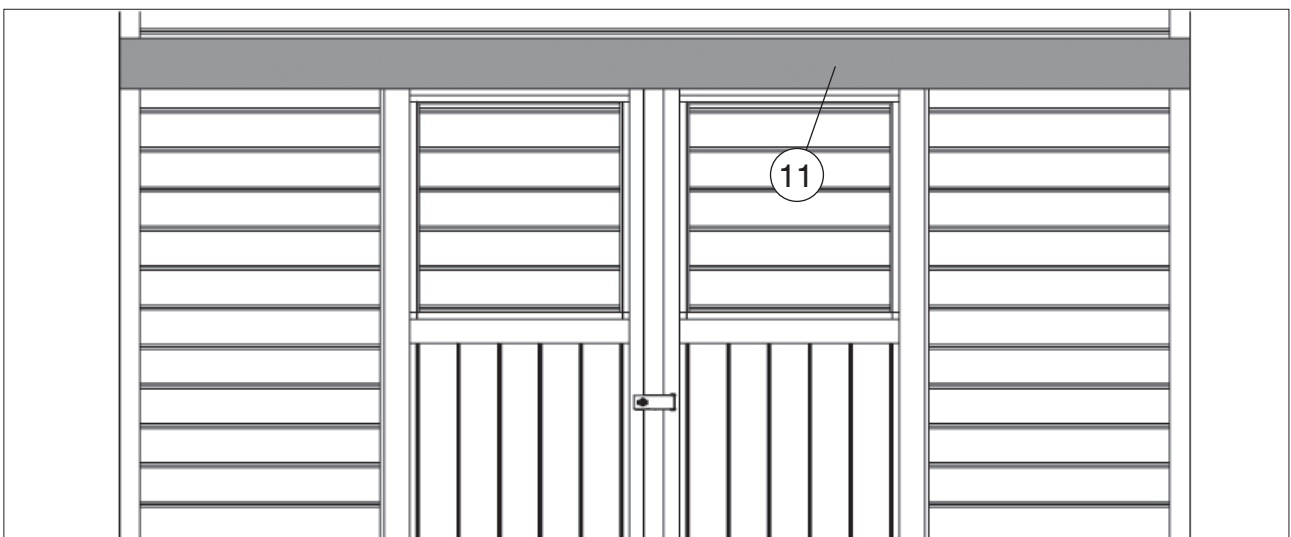
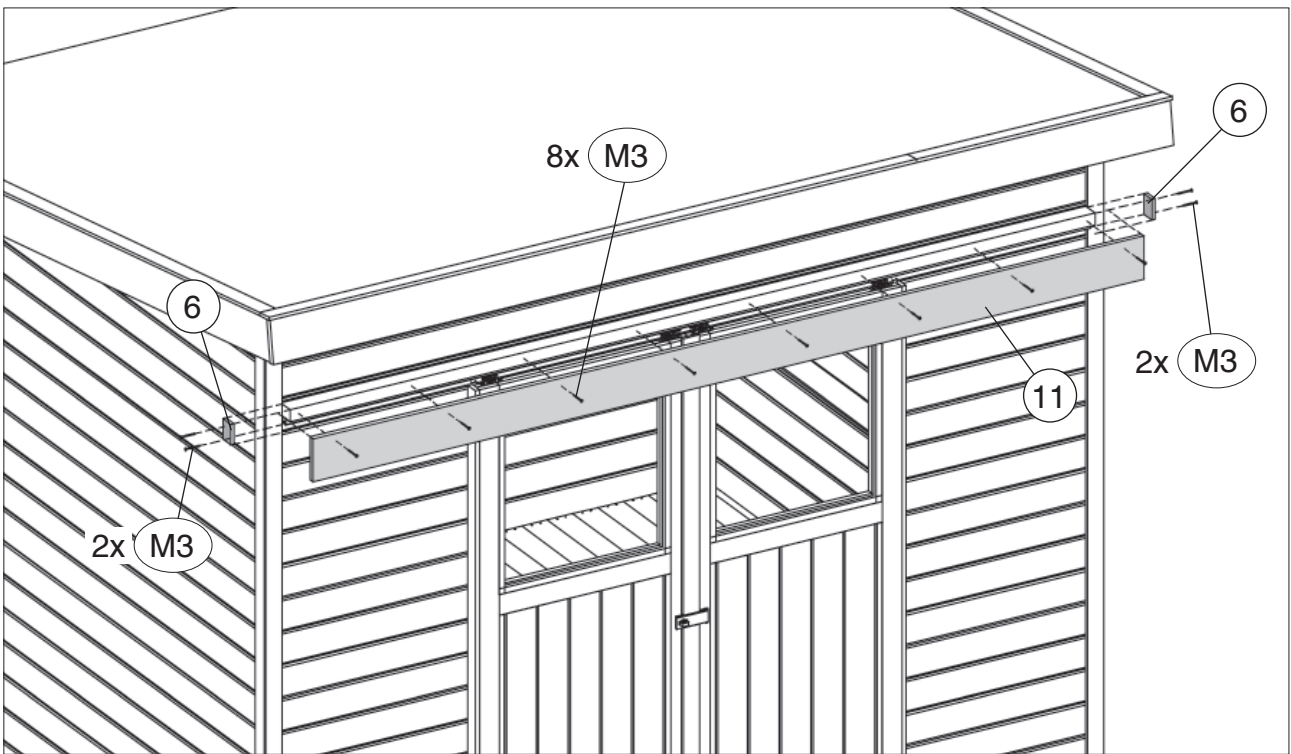
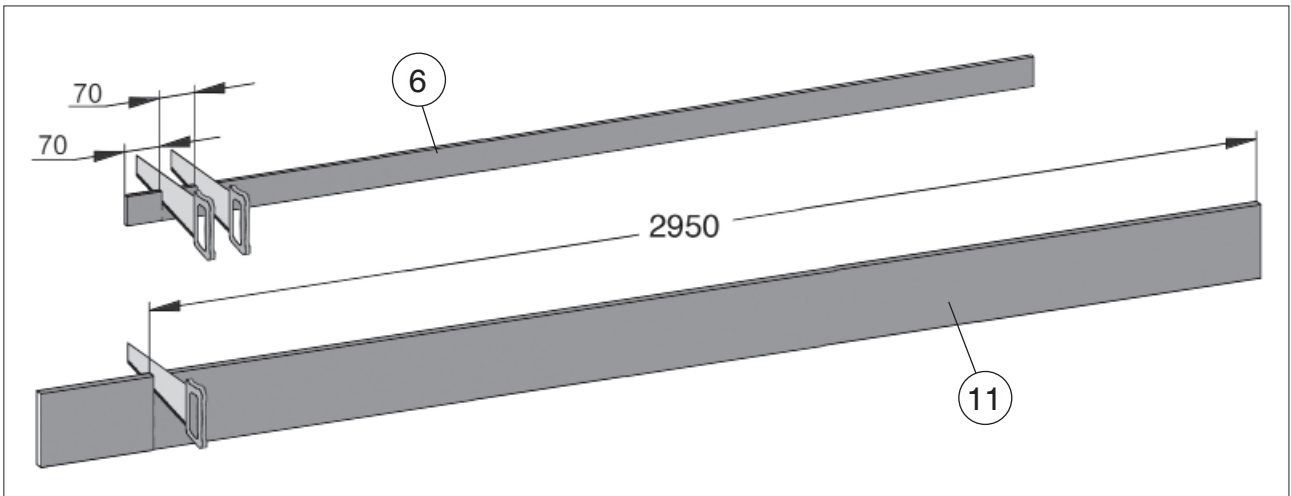
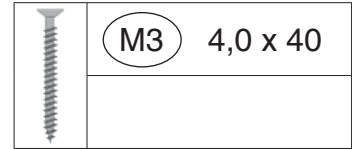


29

| | |
|-----------------------------------------------------------------------------------|-------------|
|  | M9 1,6 x 30 |
| | |

| | |
|-------------------------------------------------------------------------------------|-------------|
|  | M6 3,5 x 25 |
| | M11 |





www.weka-holzbau.com



WEKA Holzbau GmbH

Johannesstr. 16, 17036 Neubrandenburg

Tel.: +49 (0)395 42908-0

Fax: +49 (0)395 42908-83

Mail: info@weka-holzbau.com

Web: www.weka-holzbau.com

MA Art.-Nr.: 800.0286.16.47