

ASSEMBLY INSTRUCTIONS FOR OUTDOOR TABLE

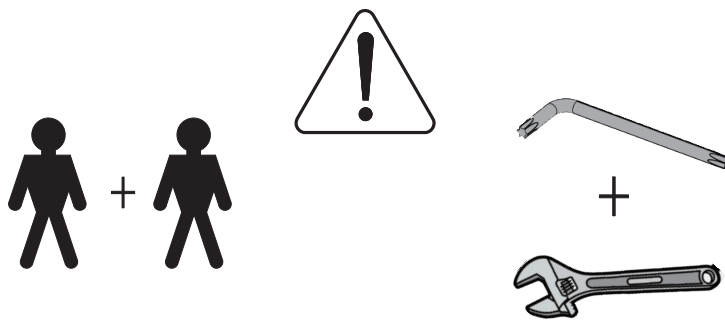


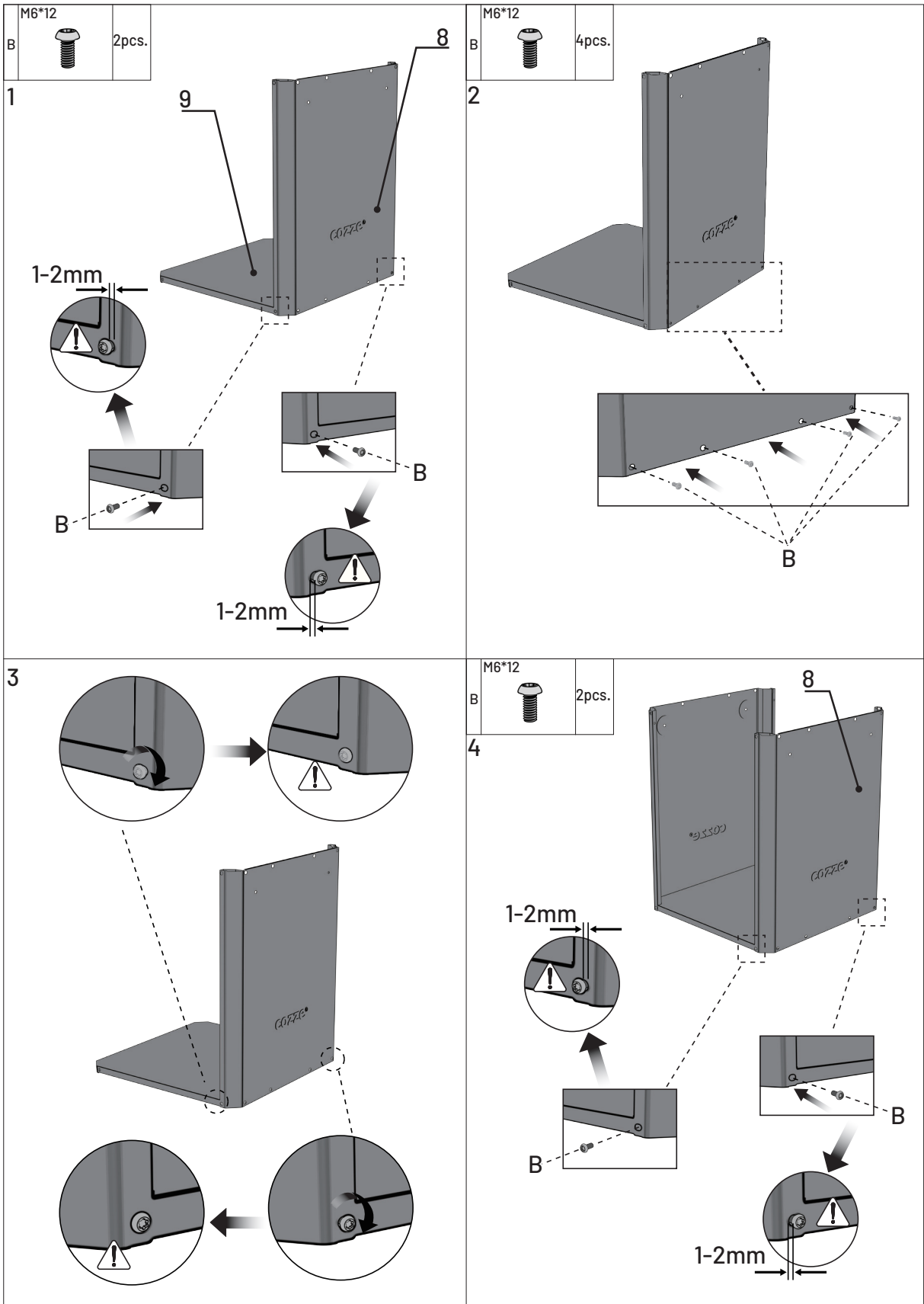
FIND A VIDEO ON HOW TO
ASSEMBLE THE OUTDOOR TABLE AT
COZZEBBQ.COM/ASSEMBLY




cozze®

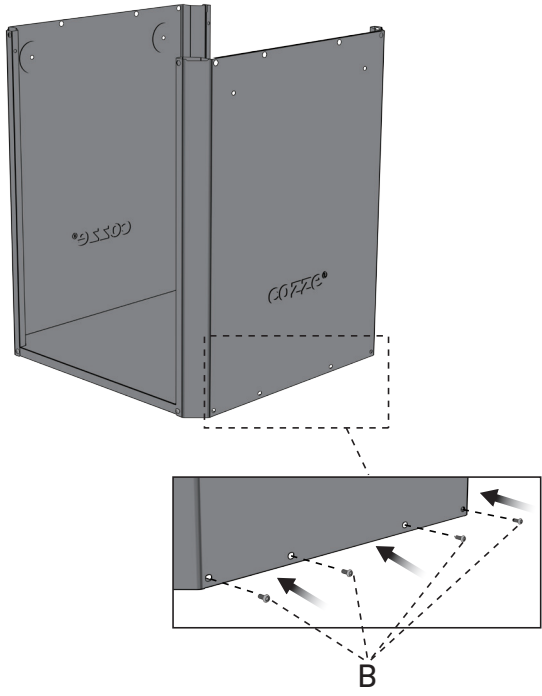
					1		*1	6		*1					
					2		*6	7		*1					
					3		*2	8		*2					
					4		*4	9		*1					
					5		*1	10		*4					
A	M6*16		*4	B	M6*12		*28	L	M4*8		*4	K	Φ16*Φ6.5		*4



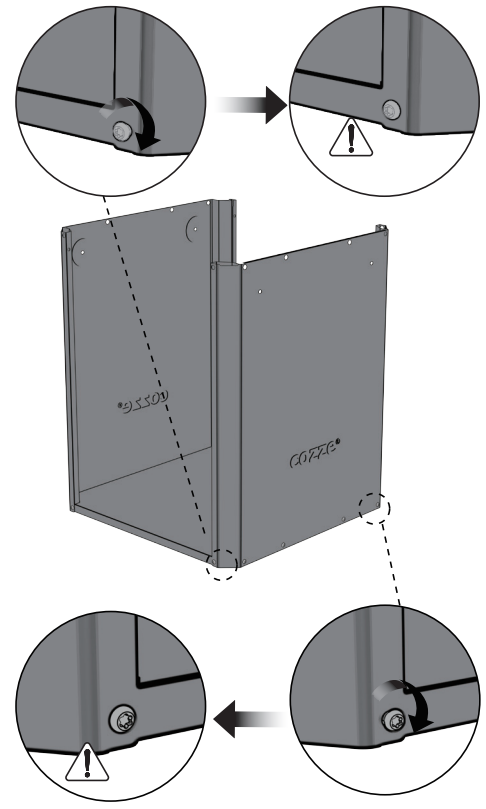



M6*12		4pcs.
-------	---	-------

5

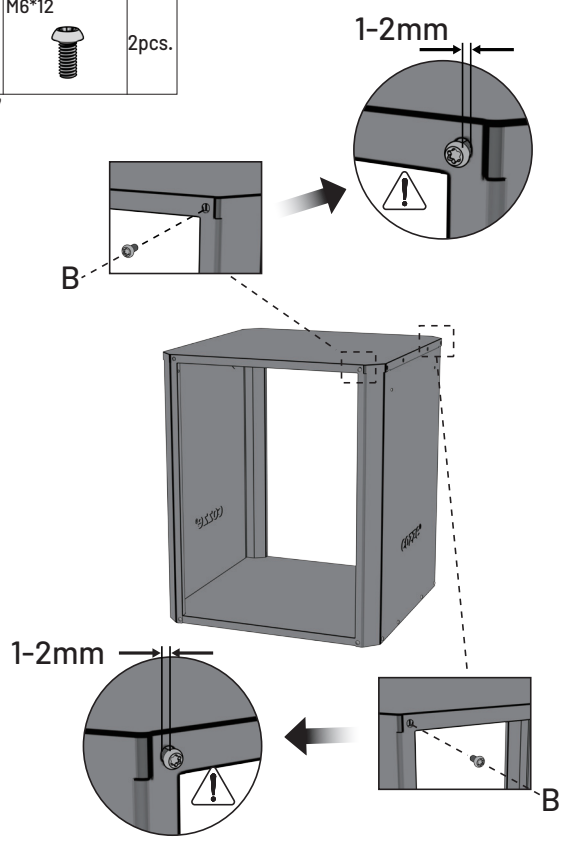



6



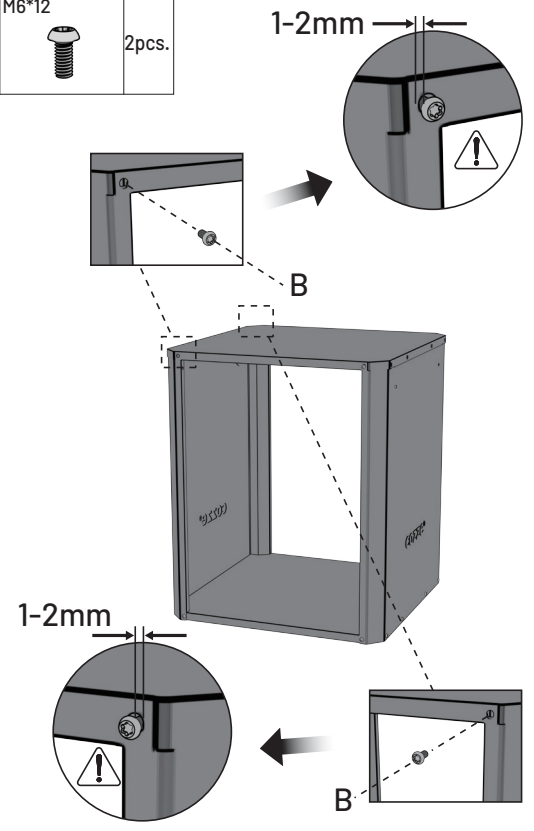
M6*12		2pcs.
-------	---	-------


7



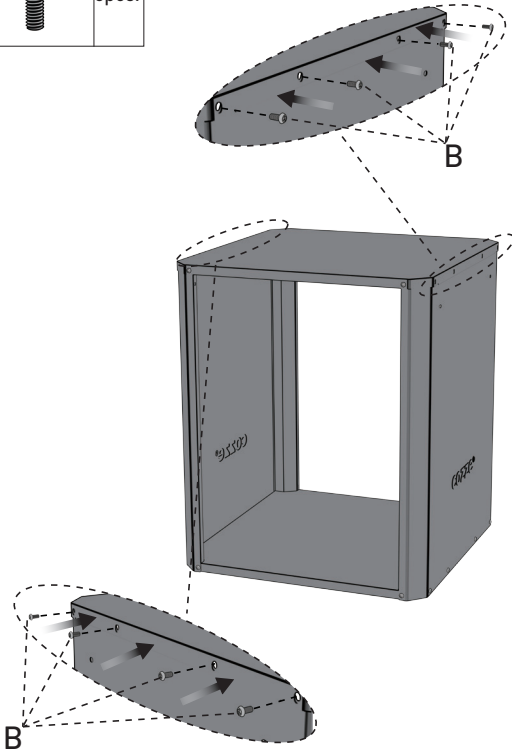
M6*12		2pcs.
-------	---	-------

8

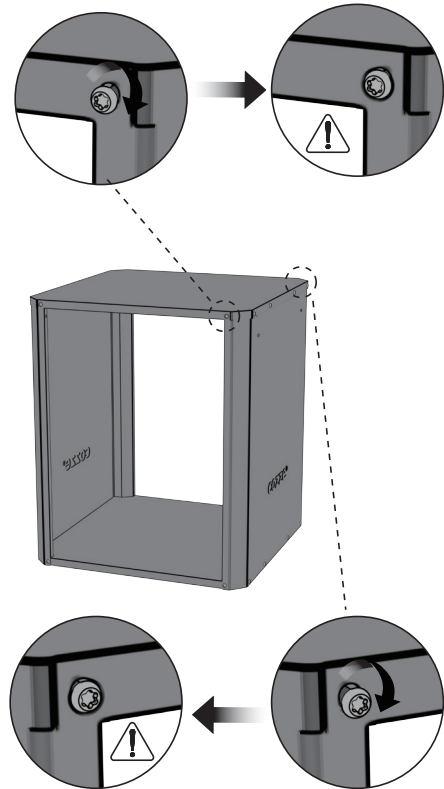


M6*12	
	8pcs.

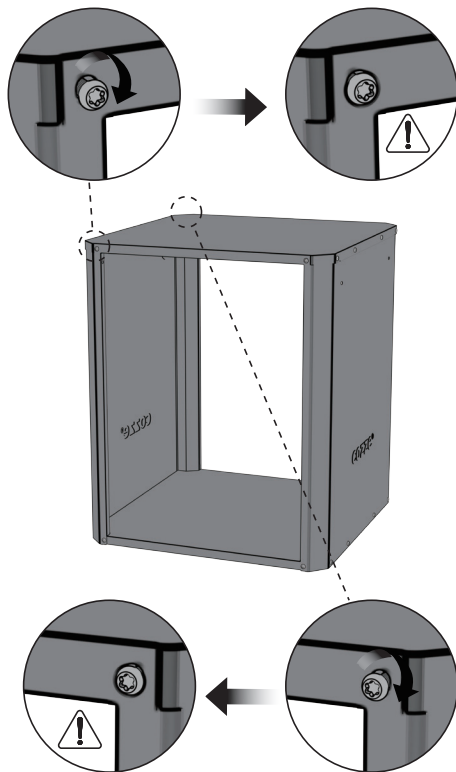
9



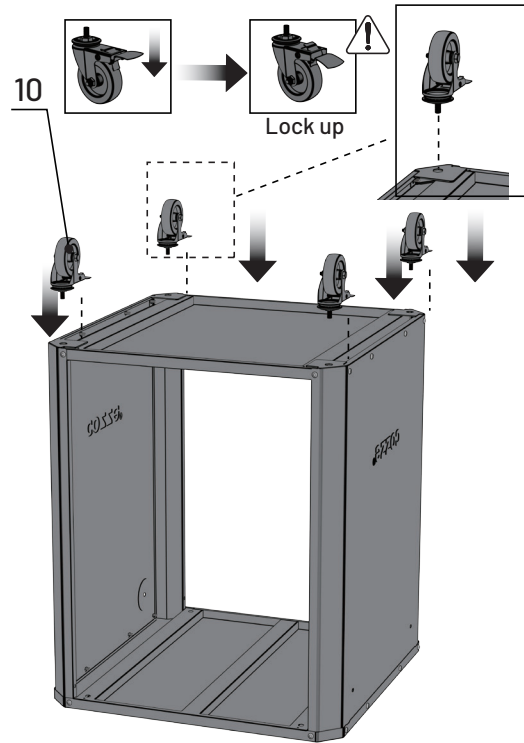
10





11

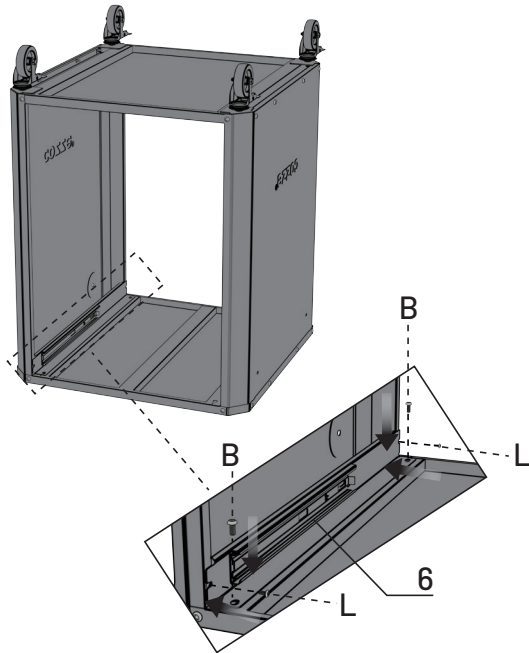




12



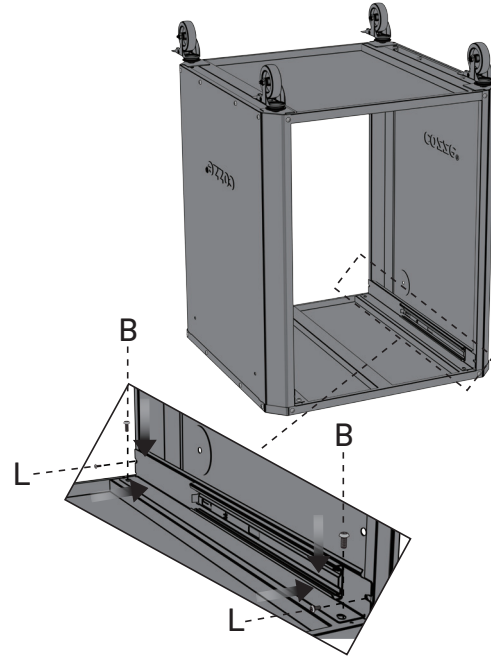
	M6*12		M4*8	
B		2pcs.	L	
				2pcs.

13

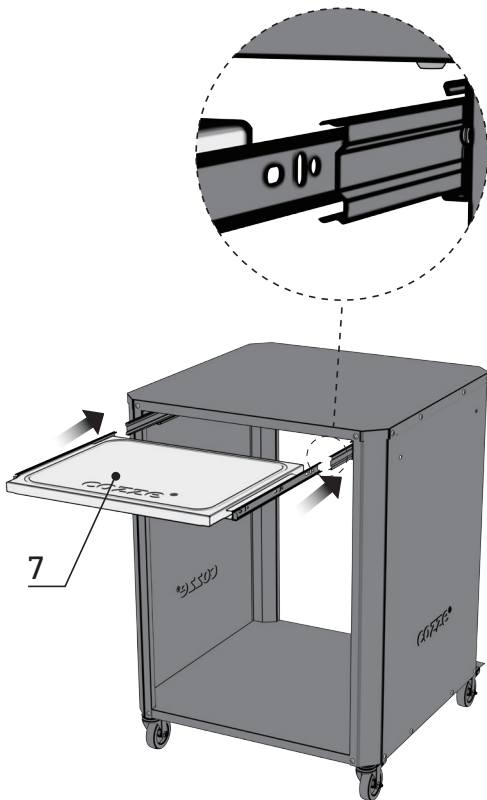


	M6*12		M4*8	
B		2pcs.	L	
				2pcs.

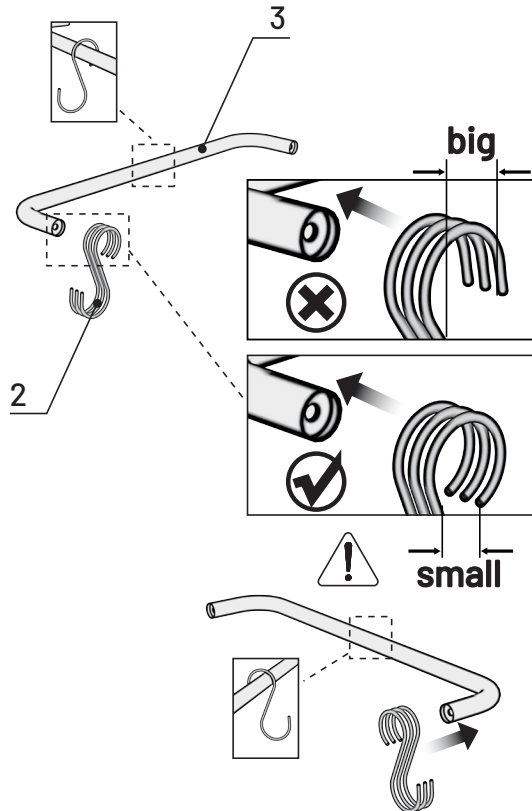
14



15



16



CHILLNESS
BY COLLE



FIND A VIDEO ON HOW TO
ASSEMBLE THE OUTDOOR TABLE AT
[COZZEBBQ.COM/ASSEMBLY](https://cozzebbq.com/assembly)



Manufactured by
Millarco International A/S
Rokhøj 26, 8520 Lystrup - Denmark
millarco.com
cozzebbq.com



cozze®