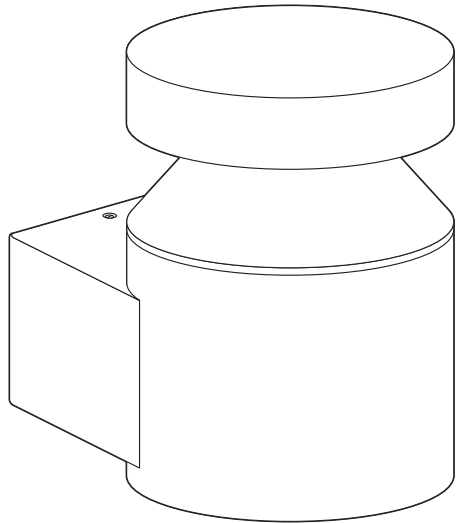
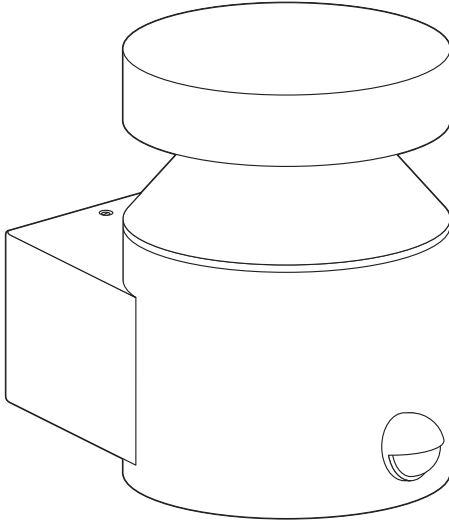
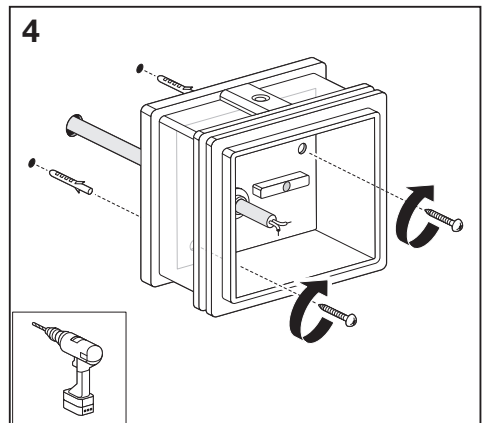
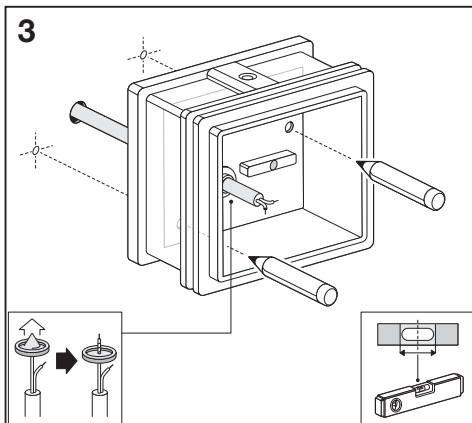
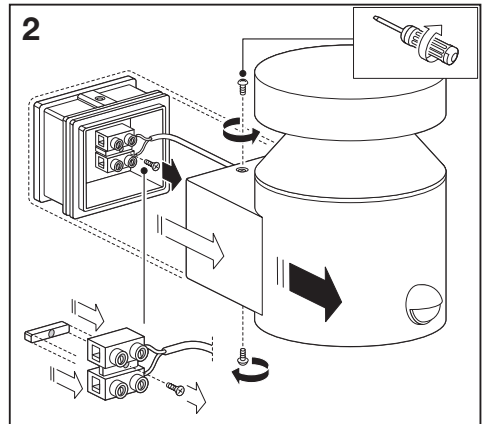
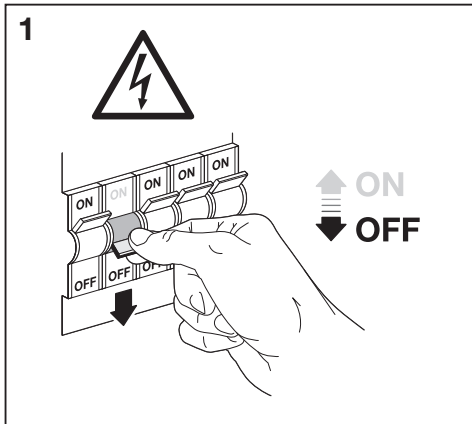
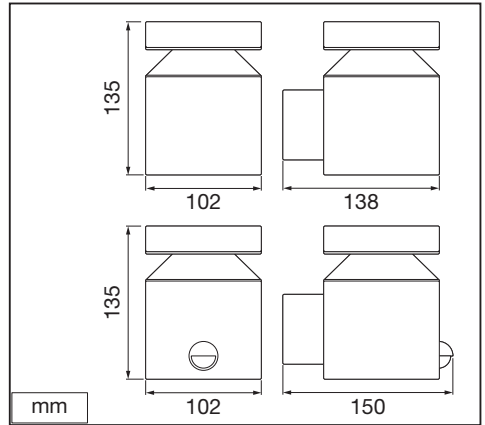
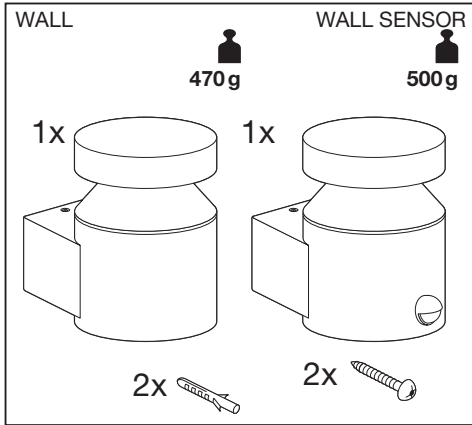
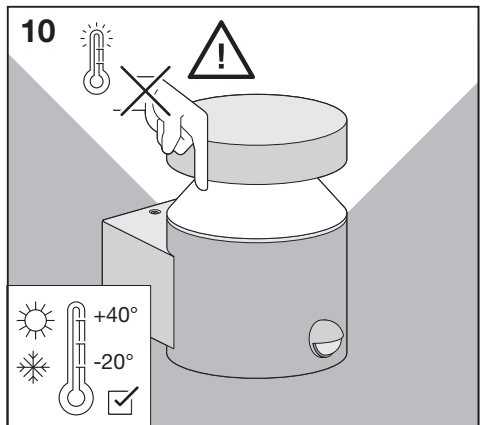
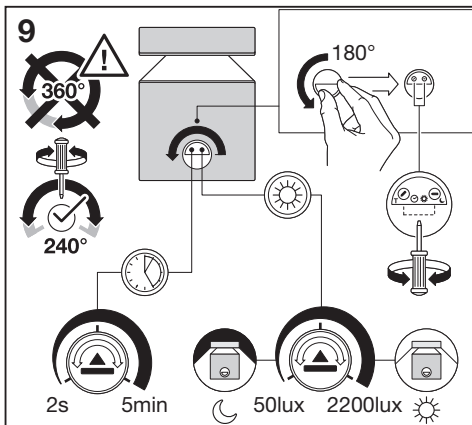
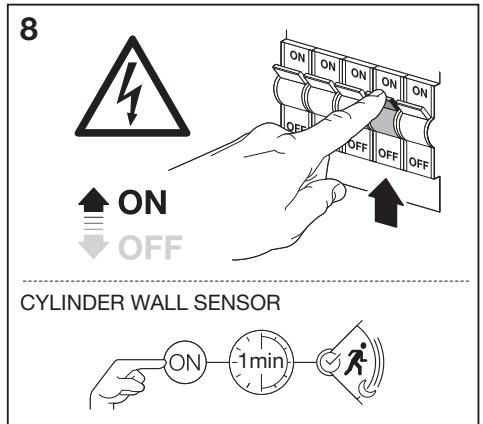
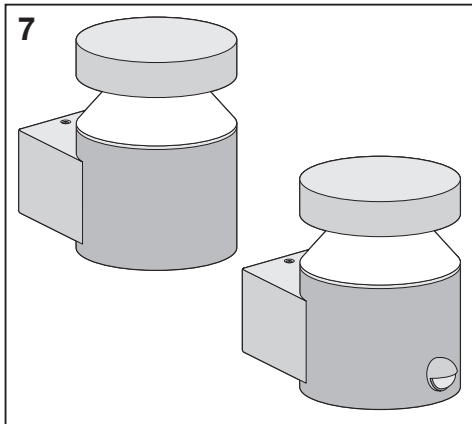
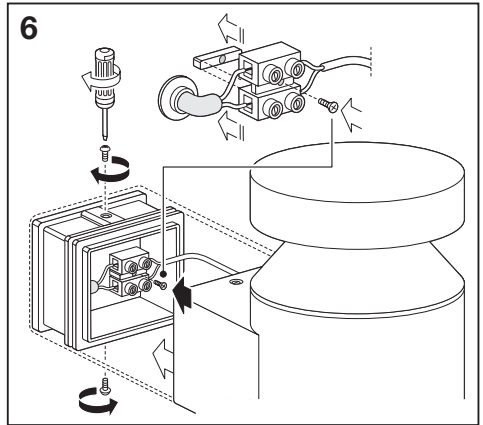
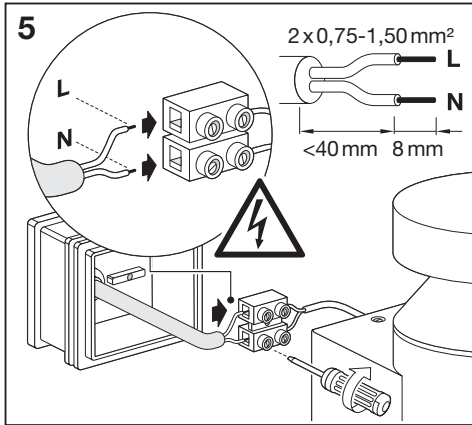

ENDURA® STYLE CYLINDER WALL



	EAN	W	lm	K	Temp. (°C)	V~	mA	Hz	PF
ENDURA® STYLE CYLINDER WALL 6W ST	4058075205338	6	360	3000	-20...+40	220-240	55	50/60	>0.5
ENDURA® STYLE CYLINDER WALL SENSOR 6W ST	4058075205352	6	360	3000	-20...+40	220-240	55	50/60	>0.5

CYLINDER WALL







C10449057
G11051756
30.10.2018



LEDVANCE GmbH
Steinerne Furt 62
86167 Augsburg, Germany
www.ledvance.com